



Bendix

BRAND BRAKE

v1.0

HOW TO USE THIS CATALOGUE

In this catalogue you can find the fast moving CV Pads sold in the Middle East, Turkey and North Africa.

The purpose of this catalogue is to help you identify which CV Pads you require from the information found on the backplate of the pad.

All CV Pads should have an identification printed or stamped on the back facing of the pad.

If the information on the backplate is not apparent you can use the Illustrations provided in this catalogue to help you identify the correct pad required.

The backplate should contain one of the following information listed in this catalogue:

- **WVA Number**
- **Part Number of Pad Manufacturers**
- **Part Number of Vehicle Manufacturers**

If the backplate information is missing or difficult to read, it is recommended to obtain the following information to help determine the correct pad:

- **The Application**
- **Calliper manufacturer**
- **Hand contour drawing on a white paper**
- **Any relevant information**

When ordering a Pad, please use the pad manufacturer part number in conjunction with the WVA number whenever possible.

Note that in this catalogue we also inform you about brake accessories kit which are included in most event, and also contact wire lead sold separately.

A	Section	Commercial Vehicle Application List	1
B	Section	Cross Reference List – OE / Bendix	15
C	Section	CV Pads Outline drawing design	21
D	Section	Terms And Conditions	34
		Quality	35
		Fundamentals of CV Pads Technology	36



Brand Engineering Ltd

sales@brandbrake.com

www.brandbrake.com

AUTODROMO - BUS	2
AUTOSAN - BUS	2
AUWARTER (NEOPLAN) - BUS	2
AVIA (CZECH)	2
AYATS	2
BMC (Bluebird) - BUS	2
BOVA- BUS	2
BPW -TRAILER AXLES	3
DAF	3
DAF - BUS	3
DEN OUDSTEN	3
DENNIS SPECIALIST VEHICLES	3
DENNIS SPECIALIST VEHICLES - BUS	3
ERF	4
FODEN	4
FORD	4
FREUHAUF (SMB) -TRAILER AXLES	4
GRANNING LYNX-TRAILER AXLES	4
HEULIEZ - BUS	4
INBUS	4
IRIZAR (Scania) - BUS	4
IVECO	4-6
IVECO - BUS	6
IVECO - LCV	6
JELCZ - BUS	6
KAROSA - BUS	6
KASSBOHRER - BUS	6
LEYLAND - BUS	6
LEYLAND - DAF	6
LIAZ	6
MAN	7
MAN - BUS	8
MCW - BUS	8
MENARINI - BUS	8
MERCEDES	8
MERCEDES - BUS	8
MERCEDES -TRAILER AXLES	9
NEOPLAN - BUS	9
OPTARE - BUS	9
RENAULT	9-11
RENAULT - BUS	11
ROCKWELL ROR-TRAILER AXLES	11
SAF-TRAILER AXLES	11
SCANIA	11
SCANIA - BUS	11
SETRA - BUS	12
SMB-TRAILER AXLES	12
TVM - BUS	12
VANHOOOL - BUS	12
VOLVO	12-13
VOLVO - BUS	13
YORK (Hendrickson) -TRAILER AXLES	13



A
S
E
C
T
I
O
N

Make/Models	Year	CALIPER	WVA FRONT	Pad Part No FRONT	Pad Part No REAR	Fitting Kit (Included)	Wear Indicator (Available Separately)
AUTODROMO BUS							
Leggero (all models)	98-	Meritor	29149	CVP080			
AUTOSAN BUS							
A1012T Eagle - EuroLider12 Intercity Bus (55 seater coach)	06-	Wabco	29088	CVP032	CVP032	Full Acc. Kit	
A1012T Eagle - School Bus (67 or 70 seater coach)	06-	Wabco	29088	CVP032	CVP032	Full Acc. Kit	
AUWARTER (NEOPLAN) - BUS							
1000 Series							
all models	92-	Knorr	29087/29108	CVP020		Full Acc. Kit	
4000 Series							
all models	92-	Knorr	29087/29108	CVP020		Full Acc. Kit	
Cityliner							
N116,116.3	92-	Knorr	29087/29108	CVP020		Full Acc. Kit	BBW515
Jetliner							
N213 H, SHD	92-	Knorr	29087/29108	CVP020		Full Acc. Kit	BBW515
Metroliner							
MIC 4008, 4012, 4017, N312,316	92-	Knorr	29747	CVP338		NO	
Skyliner							
N122/3	92-	Knorr	29087/29108	CVP020		Full Acc. Kit	BBW515
Spaceliner							
N117/2, N117/3	92-	Knorr	29087/29108	CVP020		Full Acc. Kit	BBW515
Transliner							
N312, 316	92-	Knorr	29087/29108	CVP020		Full Acc. Kit	BBW515
Transliner K, U	92-	Knorr	29747	CVP338		NO	
AVIA (CZECH)							
A60,75 (all models)	97-	Wabco	29017	CVP003		NO	
AWD							
T-Series (all models)	92-	Meritor	29302	CVP001	CVP001	NO	
AYATS							
Atlas							
all models	92-	Knorr	29087/29108	CVP020	CVP020	Full Acc. Kit	
Bravo 1							
all models	92-	Knorr	29087/29108	CVP020	CVP020	Full Acc. Kit	
Atlantis Series							
Atlantis (all models)	01/02-	Knorr	29087/29108	CVP020	CVP020	Full Acc. Kit	
Bravo Series							
Bravo 1,1 Plus, 2, 2 Plus	01/02-	Knorr	29087/29108	CVP020	CVP020	Full Acc. Kit	
BMC (Bluebird) - BUS							
1100 Falcon School Bus	02-	Wabco	29088	CVP032	CVP032	Full Acc. Kit	BBW520
BOVA - BUS							
Futura Coach							
FHD 10-290 & 300,12-290, 360, 370, 220, 270 (2 x axles) - disc thickness 48-44mm	90-95	Knorr	29747	CVP338		NO	
FHD 12 & 13 Series (2 x axles)	95-	Knorr	29087/29108	CVP020		Full Acc. Kit	BBW515
FHD14-430XE,15-430XE,15-380XE (3 axles)	95-	Knorr	29087/29108	CVP020	CVP020	Full Acc. Kit	BBW515
Magiq HD 120-340XE	96-	Knorr	29087/29108	CVP020	CVP020	Full Acc. Kit	
Reisebus	92-	Knorr	29087/29108	CVP020		Full Acc. Kit	

CV PADS



Make/Models	Year	CALIPER	VVA FRONT	Pad Part No FRONT	Pad Part No REAR	Fitting Kit (Included)	Wear Indicator (Available Separately)
-------------	------	---------	-----------	-------------------	------------------	------------------------	---------------------------------------

A
**S
E
C
T
I
O
N**

BOVA - BUS (continued)

<i>Futura Coach</i>							
Synergy DD 138-430E	01/04-	Knorr	29087/29108	CVP020	CVP020	Full Acc. Kit	

BPW -TRAILER AXLES

Knorr-Bremse SB5000 caliper	98-	Knorr	29115/29148	CVP035	CVP035	Full Acc. Kit	
Knorr-Bremse SB6000 caliper	98-	Knorr	29093/29095	CVP036	CVP036	Full Acc. Kit	BBW532
Knorr-Bremse SB6000 caliper	98-	Knorr	29095	CVP082	CVP082	Full Acc. Kit	BBW532
Knorr-Bremse SB7000 caliper	98-	Knorr	29087/29108	CVP020	CVP020	Full Acc. Kit	BBW533
SKH/SKM SN6 caliper	98-	Knorr	29165	CVP092	CVP092	Full Acc. Kit	BBW533
SHS/SHZ SN7 caliper	96-	Knorr	29167	CVP093	CVP093	Full Acc. Kit	BBW526
SHS/SHZ SK7 caliper	96-	Knorr	29171	CVP094	CVP094	Full Acc. Kit	BBW533
Knorr-Bremse SN6 caliper (SB3745) 19.5" & 22.5" wheels (Key Pad)	03-	Knorr	29165	CVP092	CVP092	Full Acc. Kit	BBW533
Knorr-Bremse SN7 caliper (SB4345)22.5" wheels (Key Pad)	03-	Knorr	29167	CVP093	CVP093	Full Acc. Kit	BBW526
Knorr-Bremse SK7 caliper (SB4309)22.5" wheels (Key Pad)	03-	Knorr	29171	CVP094	CVP094	Full Acc. Kit	BBW533

DAF

F Series, FA600, 800,1000,1005	87-92	Wabco	29024	CVP027			
F45 Series, 06.10,12,13,15	86-91	Wabco	29017	CVP003		NO	
F45 Series, 06.10,12,13,15 (with wear indicator)	86-91	Wabco	29029/29024	CVP005		NO	
FA Series, 600, 800,1000,1005	87-	Wabco	29017	CVP003		NO	
FA Series, 600, 800,1000,1005 (with wear indicator)	87-	Wabco	29029/29024	CVP005		NO	
FA 45 Series, 120,130,150,160,180, 210	91-	Wabco	29017	CVP003		NO	
FA 45 Series, 120,130,150,160,180, 210 (with wear indicator)	91-	Wabco	29029/29024	CVP005		NO	
F55 Series, FA55.150,180, 210, 230	95-	Wabco	29077/29092	CVP022		NO	
LF 45 Series, 150,170,180, 220,	01/01-	Wabco	29088	CVP032	CVP032	Full Acc. Kit	BBW522
LF 55 Series, FA55.170, FA55.180, FA55.220, FA55.250 (12-15t)	-02/03	Wabco	29141	CVP086	CVP086	Full Acc. Kit	WL026
LF 55 Series, FA55.170, FA55.180, FA55.220, FA55.250 (12-15t)	03/03-	Wabco	29126/29159	CVP090	CVP090	Full Acc. Kit	WL026
LF 55 Series, FA55.180, 220, 250 (option)	01/01-	Knorr	29087/29108	CVP020	CVP020	Full Acc. Kit	
F65 Series (all models)	01-	Knorr	29087/29108	CVP020	CVP020	Full Acc. Kit	BBW515
F75 Series, F85 Series (all models)	01-	Knorr	29087/29108	CVP020	CVP020	Full Acc. Kit	BBW515
95 XF Series (all models)	01-	Knorr	29087/29108	CVP020	CVP020	Full Acc. Kit	BBW515

DAF - BUS

SB120, Cadet	99-	Knorr	29095	CVP082	CVP082	Full Acc. Kit	
SB200	01-	Knorr	29093/29095	CVP036	CVP036	Full Acc. Kit	BBW532
MB230	01/01-	Knorr	29087/29108	CVP020		Full Acc. Kit	
MB230 (disc thickness 48-44mm)	11/89-	Knorr	29747	CVP338		NO	
SB3000 (disc thickness 48-44mm)	89-	Knorr	29747	CVP338		NO	
SB3000	94-	Knorr	29087/29108	CVP020	CVP020	Full Acc. Kit	
SB4000	98-	Meritor	29150	CVP081	CVP081		

DEN OUDSTEN

Almere City Bus	98-	Meritor	29150	CVP081			
-----------------	-----	---------	-------	--------	--	--	--

DENNIS SPECIALIST VEHICLES

Eagle (Elite) Dust Cart - Refuse Collection vehicle	01/94-	Meritor	29090	CVP023	CVP023	Full Acc. Kit	BBW516
Phoenix Dust Cart - Refuse Collection vehicle	01/95-	Meritor	29090	CVP023		Full Acc. Kit	
Rapier Fire Tender	01/91-	BendixSee	29013	CVP006		NO	
Sabre Fire Tender	01/95-	Meritor	29090	CVP023		Full Acc. Kit	WL011

DENNIS SPECIALIST VEHICLES - BUS

Arrow	01/96-	Meritor	29090	CVP023		Full Acc. Kit	WL011
Enviro Line, R300, R345, R420	01/02-	Wabco	29126/29159	CVP090	CVP090	Full Acc. Kit	WL026
Javelin (11M), Mk11, GX, Mk1101m & 12m Coach)	01/91-12/95	Meritor	29043	CVP009		NO	WL006 (Double) BBW530 (Single)
Javelin Mk111	01/95-	Meritor	29090	CVP023		Full Acc. Kit	WL011
Lancet SLF	01/95-	Meritor	29030/29113	CVP013		Full Acc. Kit	WL010
Trident Buses 11	01/01-	Knorr	29087/29108	CVP020	CVP020	Full Acc. Kit	BBW100 + BBW524 BBW100 + BBW525



Make/Models	Year	CALIPER	WVA FRONT	Pad Part No FRONT	Pad Part No REAR	Fitting Kit (Included)	Wear Indicator (Available Separately)
ERF							
ECL, ECM, ECT Series (optional)	04/02-	Knorr	29087/29108	CVP020	CVP020	Full Acc. Kit	
ECL, ECM, ECT Series	04/02-	Meritor	29131	CVP088	CVP088	Full Acc. Kit	WL010 BBW523
ECS Range (all models)	01/00-	Meritor	29030/29113	CVP013	CVP013	Full Acc. Kit	WL037 BBW523
ECX (all models)	03/00-9/01	Meritor	29030/29113	CVP013		Full Acc. Kit	WL037 BBW523
ECX (all models)	10/01-04/02	Meritor	29131	CVP088	CVP088	Full Acc. Kit	WL010 BBW523
FODEN							
Alpha	98-	Knorr	29087/29108	CVP020	CVP020	Full Acc. Kit	
Falcon (all models)	02-	Knorr	29087/29108	CVP020	CVP020	Full Acc. Kit	
FORD							
Cargo 0608-0815 Series	87-91	Meritor	29302	CVP001	CVP001	NO	
Cargo 1713-1728	87-91	Meritor	29039	CVP008			
Supercargo Series (all models with 19.5" wheels)	91-98	Knorr	29032	CVP014		Full Acc. Kit	WL008
Supercargo Series (all models with 22.5" wheels)	91-98	Knorr	29011	CVP015		Full Acc. Kit	WL008
FREUHAUF (SMB) -TRAILER AXLES							
Knorr-Bremse SB7000 caliper	98-	Knorr	29087/29108	CVP020	CVP020	Full Acc. Kit	
Knorr-Bremse SB6000 caliper	98-	Knorr	29093/29095	CVP036	CVP036	Full Acc. Kit	BBW532
GRANNING LYNX-TRAILER AXLES							
Knorr-Bremse SB5000 caliper	98-	Knorr	29115/29148	CVP035	CVP035	Full Acc. Kit	
Knorr-Bremse SB6000 caliper	98-	Knorr	29093/29095	CVP036	CVP036	Full Acc. Kit	BBW532
Knorr-Bremse SB7000 caliper	98-	Knorr	29087/29108	CVP020	CVP020	Full Acc. Kit	BBW533
HEULIEZ - BUS							
Access Bus, GX317	01/96-	Meritor	29030/29113	CVP013		Full Acc. Kit	WL011
GX917	90-	Meritor	29090	CVP023		Full Acc. Kit	WL013
INBUS							
U210, 8-250,1210,13030, F-140	01/78-		29016	CVP400		Full Acc. Kit	
IRIZAR (Scania) - BUS							
Century	01-	Knorr	29087/29108	CVP020	CVP020	Full Acc. Kit	BBW533
PB	02-	Knorr	29087/29108	CVP020	CVP020	Full Acc. Kit	BBW533
IVECO - LCV							
Daily 59.12	96-	Wabco	29001	CVP017		NO	
29L, 35S, 50C, 49.10, 59.12 (pad height 66.5mm)	98-	Brembo	29121	CVP026	CVP026	NO	BBW512
65C15 models (pad height 69.5mm)	11/01	Brembo	29160	CVP097	CVP097		BBW512
All C Models ie:- 35C9, 50C13 (20mm Thick) + ABS	06/99	Brembo	29121	CVP026	CVP026	NO	BBW512
IVECO							
Eurocargo Series							
60E10, 60E12, 60E14, 65E12, 65E14, 75E12, 75E14, 75E15, 95E	91-12/96	Meritor	29065	CVP016	CVP016	NO	BBW509 (Round) BBW510 (Oval)
60E10, 60E12, 60E14, 65E12, 65E14, 75E12, 75E14,75E15, 95E	01/97	Brembo	29122	CVP025	CVP025	NO	BBW512 or BBW513
80E,100E,180E	01/91	Meritor	29067	CVP019	CVP019		BBW509 (Round) BBW510 (Oval)
85E15, 85E18	91-	Meritor	29033	CVP007		NO	
95E19	91-	Meritor	29033	CVP007		NO	
100E15, 100E18, 100E21 90	91-	Meritor	29033	CVP007	CVP019	NO	
110E,120E,130E,135E,150E, 210E, 250E, 260E,280E, 320E	01/91	Knorr	29032	CVP014		Full Acc. Kit	WL012(Round) WL012 (Oval)
170E18,170E23,170E27	01/94	Knorr	29011	CVP015		Full Acc. Kit	WL012(Round) WL012 (Oval)
180E21	91-	Meritor	29033	CVP007	CVP019	NO	
260E23,260E27	92	Knorr	29011	CVP015		Full Acc. Kit	WL012(Round) WL012 (Oval)
280E23, 320E27	91-	Knorr	29032	CVP014		Full Acc. Kit	WL012(Round) WL012 (Oval)
Eurocargo Tector Series							
100E17, 100E18, 100E21	01/01	Meritor	29033	CVP007	CVP019	NO	
130E18,130E24,130E28	01/01-	Knorr	29032	CVP014		Full Acc. Kit	WL012(Round)
150E18,150E24,150E28	01/01-	Knorr	29032	CVP014		Full Acc. Kit	

CV PADS



Make/Models	Year	CALIPER	VVA FRONT	Pad Part No FRONT	Pad Part No REAR	Fitting Kit (Included)	Wear Indicator (Available Separately)
IVECO (continued)							
Eurocargo Tector Series (continued)							
60E13, 65E15, 80E, 90E, 100E, 120E	09/00	Brembo	29122	CVP025	CVP025	NO	BBW512 or BBW513
60E13, 65E15, 80E, 90E, 100E, 120E (option)	01/01	Meritor	29065	CVP016	CVP016	NO	BBW509 (Round) BBW510 (Oval)
75E13, 75E15, 75E17, 75E18	01/01	Brembo	29122	CVP025	CVP025	NO	BBW513
80E17, 80E18, 80E21	01/01	Meritor	29033	CVP007	CVP019	NO	
90E17, 90E18, 90E21	01/01	Meritor	29033	CVP007	CVP019	NO	
120EL 17, 120EL 21	01/00	Wabco	29088	CVP032	CVP032	Full Acc. Kit	BBW520
130E18, 130E24, 130E28, 140E18, 140E24, 150E18, 150E24, 150E28	09/00	Knorr	29093/29095	CVP036	CVP036	Full Acc. Kit	BBW532
180E21, 180E24, 180E28, 320E28	09/00	Knorr	29087/29108	CVP020	CVP020	Full Acc. Kit	WL028+WL017
Eurorider Series							
Eurorider (all models)	98	Brembo	29075	CVP010		NO	
Eurostar Series							
LD180 E38, E39, E40, E42, E43, E47, E52 (Chassis no: -4196456-044257)	93-02	Knorr	29011	CVP015	CVP015	Full Acc. Kit	WL012(Round) WL012(Oval)
LD180 E38, E39, E40, E42, E43, E47, E52 (Chassis no: 4196457-044258-)	93-02	Knorr	29105	CVP083	CVP083	Full Acc. Kit	WL028+WL017
LD190 E38, E39, E40, E42, E43, E47, E52 (Chassis no: -4196456-044257)	93-02	Knorr	29011	CVP015	CVP015	Full Acc. Kit	WL012(Round) WL012(Oval)
LD190 E38, E39, E40, E42, E43, E47, E52 (Chassis no: 4196457-044258-)	93-02	Knorr	29105	CVP083	CVP083	Full Acc. Kit	WL028+WL017
LD240 E38, E39, E40, E42, E43, E47, E52 (Chassis no: -4196456-044257)	93-02	Knorr	29011	CVP015	CVP015	Full Acc. Kit	WL012(Round) WL012(Oval)
LD240 E38, E39, E40, E42, E43, E47, E52, (Chassis no: 4196457-044258-)	93-02	Knorr	29105	CVP083	CVP083	Full Acc. Kit	WL028+WL017
LD260, E38, E42, E47, E52 (Chassis no: -4196456-044257)	93-02	Knorr	29011	CVP015	CVP015	Full Acc. Kit	WL012(Round) WL012(Oval)
LD260, E38, E42, E47, E52 (Chassis no: 4196457-044258-)	93-02	Knorr	29105	CVP083	CVP083	Full Acc. Kit	WL028+WL017
LD400, 440, E38, TXP, LD440 (Chassis no: -4196456-044257)	93-02	Knorr	29011	CVP015	CVP015	Full Acc. Kit	WL012(Round) WL012(Oval)
LD400, 440, E38, TXP, LD440 (Chassis no: 4196457-044258-)	93-02	Knorr	29105	CVP083	CVP083	Full Acc. Kit	WL028+WL017
LD440, E38, E39, E40, E42, E43, E47, E48, E52 (Chassis no: -4196456-044257)	93-02	Knorr	29011	CVP015	CVP015	Full Acc. Kit	WL012(Round) WL012(Oval)
LD440, E38, E39, E40, E42, E43, E47, E48, E52 (Chassis no: 4196457-044258-)	93-02	Knorr	29105	CVP083	CVP083	Full Acc. Kit	WL028+WL017
Eurotech Series							
180E24, 180E27, 180E30, 180E34, 180E38, 180E42, 190E24, 190E27, 190E30, 190E34, 190E38, 190E39, 400E30, 400E34 (Chassis no: 4196456-C044258-)	92-98	Knorr	29105	CVP083	CVP083	Full Acc. Kit	WL028+WL017
240E30, 240E34, 240E38, 240E42, 260E38, 260E39, 260E40, 260E42, 260E43 (Chassis no: 4196456-C044258-)	92-98	Knorr	29105	CVP083	CVP083	Full Acc. Kit	WL028+WL017
MP400 E34, E38, E39, E40, E42, E43 (4x2 & 6x2), MP440 E38, E42 (6x2), (Chassis no: 4196456-C044258-)	92-98	Knorr	29105	CVP083	CVP083	Full Acc. Kit	WL028+WL017
Eurotech MH Cursor Series							
190E24, 190E27, 190E31, 190E35, 190E, 260E24, 260E27, 260E31, 260E35, 400E31, 400E35 (Chassis no: -4243552)	98	Knorr	29105	CVP083	CVP083	Full Acc. Kit	WL028+WL017
190E24, 190E27, 190E31, 190E35, 190E, 260E24, 260E27, 260E31, 260E35, 400E31, 400E35 (Chassis no: 4243553-)	98	Knorr	29087/29108	CVP020	CVP020	Full Acc. Kit	WL028+WL017
Eurotrakker Series							
190E, 260E, 340E, 380E, 400E, 410E, 440E, 720E	93-	Knorr	29087/29108	CVP020	CVP020	Full Acc. Kit	WL028+WL017
6x4, 8x4 Cursor	01-	Knorr	29105	CVP083		Full Acc. Kit	WL028+WL017
Stralis Series							
260840, 260S43, 260S48, 260S54, 440S40, 440S43, 440S48, 440S54,	01/02	Knorr	29105	CVP083	CVP083	Full Acc. Kit	WL028+WL017
Supercargo Series							
(all models with 19.5" wheels)	91-98	Knorr	29032	CVP014		Full Acc. Kit	WL008
(all models with 22.5" wheels)	91-98	Knorr	29011	CVP015		Full Acc. Kit	WL008
Zeta Series -							
60-11, 65-12, 79-10	83-87	Wabco	29029/29024	CVP005		NO	
79-10, 79-14	83-87	Wabco	29017	CVP003		NO	
79-10, 79-14 (with wear indicator)	83-87	Wabco	29024	CVP027			

SECTION A

A

**S
E
C
T
I
O
N**



Make/Models	Year	CALIPER	WVA FRONT	Pad Part No FRONT	Pad Part No REAR	Fitting Kit (Included)	Wear Indicator (Available Separately)
IVECO (continued)							
Zeta Series (continued)							
79-10, 79-13, 60-11, 65-9, 65-12, 79-12, 79-14 (Wabco)	87-91	Wabco	29024	CVP027			
79-10, 79-13, 60-11, 65-9, 65-12, 79-12, 79-14 (Meritor)	87-91	Meritor	29067	CVP019			BBW509 (Round) BBW510 (Oval)
IVECO BUS							
370 Series							
370.25, 370.30, 370.35	84-	Brembo	29075	CVP010		NO	
380 Series							
380.10.35, 380.12.35, 380.12.38 HD, 380.10.29 (Euronider Chassis)	84-	Brembo	29075	CVP010		NO	
399 Series							
400 Series							
471-10.20, 471-12.20	84-88		29016	CVP400		Full Acc. Kit	
480/490/580 Series	84-88		29016	CVP400		Full Acc. Kit	
Cityclass							
Cityclass 491	92-	Brembo	29075	CVP010		NO	
Cityclass 491	98-	Meritor	29150	CVP081			
JELCZ - BUS							
M083C Libero (Low-floor mini city bus)	06-	Wabco	29088	CVP032	CVP032	Full Acc. Kit	
M121M/4 Mastero CNG (Low-floor city bus)	06-	Wabco	29088	CVP032	CVP032	Full Acc. Kit	
KAROSA - BUS							
Agora	01/97-	Meritor	29030/29113	CVP013		Full Acc. Kit	WL011
930 (all models)	97-	Knorr	29087/29108	CVP020		Full Acc. Kit	BBW515
Karosa - Renault	97-	Meritor	29030/29113	CVP013		Full Acc. Kit	WL011
KASSBOHRER - BUS							
Setra Series							
100 Series, S130S, ES, S140	82-88	Knorr	29498	CVP319		NO	
100 Series, S130S, ES, S140	89-	Knorr	29747	CVP338		NO	
200 Series, S210, HD, HDV, 5211, 213, 214, S215 HDH, S216HDS, S228 DT	83-89	Knorr	29498	CVP319		NO	
200 Series, S210, HD, HDV, 5211, 213, 214, S215 HDH, S216HDS, S228 DT	89-	Knorr	29747	CVP338		NO	
300 Series, S315NF, 5300 NC (City), S309HD, 312HD, 315HD, HDH	91-	Meritor	29030/29113	CVP013		Full Acc. Kit	WL010
8315 NR	91-	Meritor	29030/29113	CVP013		Full Acc. Kit	WL010
S315NF, S319NF	91-	Meritor	29030/29113	CVP013	CVP020	Full Acc. Kit	WL010
8319 UL	91-	Meritor	29030/29113	CVP013		Full Acc. Kit	WL010
2mm oversize version of CVP013 fitting disc thickness 41-38mm		Meritor	29114	CVP018			WL037
5328 DT	94-	Knorr	29087/29108	CVP020		Full Acc. Kit	BBW515
LEYLAND - BUS							
Swift -Single Decker	85-91	Wabco	29017	CVP003		NO	
Swift -Single Decker	91-	Knorr	29747	CVP338		NO	
LEYLAND - DAF							
Roadrunner, 6.10, 6.12, 6.13, 6.15, 8.10, 8.12, 8.13, 8.15, 10.12,10.13,10.15	86-91	Wabco	29017	CVP003		NO	
Roadrunner, 6.10 to 10.15 (with Wear Indicator)	86-91	Wabco	29024	CVP027			
45 Series, 120,130,150,160	91-	Wabco	29017	CVP003		NO	
45 Series, 120,130,150,160 (with wear indicator)	91-	Wabco	29029/29024	CVP005		NO	
45 Series, FA45.120, FA45.130, FA45.150, FA45.160	91-	Wabco	29024	CVP027			
F55 Series, FA55.150,180, 210, 230	95-	Wabco	29077/29092	CVP022		NO	
F45-F55Series	01-	Wabco	29088	CVP032	CVP032	Full Acc. Kit	BBW522
LIAZ							
400 (all models)	98-	Knorr	29087/29108	CVP020		Full Acc. Kit	BBW515

CV PADS



Make/Models	Year	CALIPER	WVA FRONT	Pad Part No FRONT	Pad Part No REAR	Fitting Kit (Included)	Wear Indicator (Available Separately)
MAN							
F2000 Series							
19t	94-12/96	Meritor	29030/29113	CVP013		Full Acc. Kit	WL010
19t	01/97-	Meritor	29030/29113	CVP013		Full Acc. Kit	WL037 BBW534
26t	94-12/96	Meritor	29030/29113	CVP013		Full Acc. Kit	WL010
26t	01/97-	Meritor	29030/29113	CVP013		Full Acc. Kit	WL037 BBW534
27t	94-12/96	Meritor	29030/29113	CVP013		Full Acc. Kit	WL010
27t	01/97-	Meritor	29030/29113	CVP013		Full Acc. Kit	WL037 BBW534
33t	94-12/96	Meritor	29030/29113	CVP013		Full Acc. Kit	WL037 BBW534
40t	01/97-	Meritor	29030/29113	CVP013		Full Acc. Kit	WL037 BBW534
2mm oversize version of CVP013 fitting disc thickness 41-38mm		Meritor	29114	CVP018			WL037 BBW534
F90 Series							
19t, & 25t	90-96	Meritor	29030/29113	CVP013		Full Acc. Kit	WL010
26t, 27t, 33t, 48t	01/89-	Meritor	29030/29113	CVP013		Full Acc. Kit	WL010
2mm oversize version of CVP013 fitting disc thickness 41-38mm		Meritor	29114	CVP018			WL037 BBW534
FRH Series							
422 Lion Star	93-96	Knorr	29747	CVP338		NO	
313,352,353,402,403,000	94-12/96	Meritor	29030/29113	CVP013		Full Acc. Kit	WL037
313,352,353,402,403,000	01/97-	Meritor	29030/29113	CVP013		Full Acc. Kit	WL037
2mm oversize version of CVP013 fitting disc thickness 41-38mm		Meritor	29114	CVP018			WL037
L-2000 Series							
6.103, 6.153F	09/93-12/95	Wabco	29055	CVP021		NO	WL037 (on Bar) BBW532 (Loose)
6.103, 6.153F	01/96-	Wabco	29088	CVP032	CVP032	Full Acc. Kit	WL022
8.103, 8.113, 8.150, 8.153, 8.163, 8.220, 8.223, 8.224	09/93-12/95	Wabco	29055	CVP021		NO	WL037 (on Bar)
8.103, 8.113, 8.150, 8.153, 8.163, 8.220, 8.223, 8.224	01/96-	Wabco	29088	CVP032	CVP032	Full Acc. Kit	WL022
8t, 9t, 10t (option)	93-	Wabco	29091	CVP033	CVP033	Full Acc. Kit	WL022
9.153, 9.163, 9.223, 9.224	09/93-12/95	Wabco	29055	CVP021		NO	WL037(on Bar) BBW532(Loose)
9.153, 9.163, 9.223, 9.224	01/96-	Wabco	29088	CVP032	CVP032	Full Acc. Kit	WL022
10.150,10.153,10.163	09/93-12/95	Wabco	29055	CVP021		NO	WL037 (on Bar)
10.220,10.223,10.224	09/93-12/95	Wabco	29055	CVP021		NO	WL037 (on Bar)
10.150,10.153,10.163	01/96-	Wabco	29088	CVP032	CVP032	Full Acc. Kit	WL022
LE Evolution 8t-12t Series (1-2000)							
LE110C 8.113	9/00-	Wabco	29088	CVP032	CVP032	Full Acc. Kit	WL022
LE140C 8.145, 9.145,10.145	9/00-	Wabco	29088	CVP032	CVP032	Full Acc. Kit	WL022
LE160C 8.163, 9.163,10.163	9/00-	Wabco	29088	CVP032	CVP032	Full Acc. Kit	WL022
LE180C 8.180, 8.185, 9.185,10.180,10.185,12.180,12.185	9/00-	Wabco	29088	CVP032	CVP032	Full Acc. Kit	WL022
LE220C 8.225,10.220,10.225,12.220,1	9/00-	Wabco	29088	CVP032	CVP032	Full Acc. Kit	WL022
LE Evolution 14t-18t Series (M2000)							
LE220B 14.225,15.225	9/00-	Knorr	29093/29095	CVP036		Full Acc. Kit	BBW532
LE250B 14.255,15.255,18.255	9/00-	Meritor	29030/29113	CVP013		Full Acc. Kit	WL037
LE280B 14.285,15.285,18.285,18.286	01/97-	Meritor	29030/29113	CVP013		Full Acc. Kit	WL037
313,352,353,402,403,000	01/97-	Meritor	29030/29113	CVP013		Full Acc. Kit	WL010
M2000 Series							
12.163,12.224	08/95-	Wabco	29088	CVP032		Full Acc. Kit	WL022
12.163,12.224	95-	Wabco	29091	CVP033	CVP033	Full Acc. Kit	WL022
L-14.163,14.224,14.255,14.264,14.284, 14.285	95-	Knorr	29093/29095	CVP036		Full Acc. Kit	BBW532
L-14.163,14.224,14.255,14.264,14.284, 14.285 (option)	95-	Knorr	29095	CVP082		Full Acc. Kit	
15.163,15.224,15.264,18.224,18.264, 25.225, 25.264	95-	Meritor	29030/29113	CVP013		Full Acc. Kit	WL037 BBW534
2mm oversize version of CVP013 fitting disc thickness 41-38mm	95-	Meritor	29114	CVP018			WL037 BBW534
TG-A Series							
18.410,18.460, 26.410	03/00-09/01	Meritor	29030/29113	CVP013		Full Acc. Kit	WL037 BBW534
18-41t	10/01-	Meritor	29131	CVP088	CVP088	Full Acc. Kit	BBW523
18-41t	03-	Knorr	29087/29108	CVP020	CVP020	Full Acc. Kit	
2mm oversize version of CVP013 fitting disc thickness 41-38mm	95-	Meritor	29114	CVP018			WL037 BBW534
TGL Series (FC, FK, FRC, FRK, FLC, FLRC) - Platform & Dumptruck Range							
7.150, 7.180	04/05-	Knorr	29115/29148	CVP035	CVP035	Full Acc. Kit	
8.180, 8.210, 8.240	04/05-	Knorr	29115/29148	CVP035	CVP035	Full Acc. Kit	
10.180,10.210,10.240	04/05-	Knorr	29115/29148	CVP035	CVP035	Full Acc. Kit	
12.180,12.210,12.240	04/05-	Knorr	29115/29148	CVP035	CVP035	Full Acc. Kit	

SECTION



A
S
E
C
T
I
O
N

Make/Models	Year	CALIPER	WVA FRONT	Pad Part No FRONT	Pad Part No REAR	Fitting Kit (Included)	Wear Indicator (Available Separately)
MAN - BUS							
City Bus	02-	Meritor	29030/29113	CVP013	CVP013	Full Acc. Kit	
Lion's Star FRH Series, 422	93-96	Knorr	29747	CVP338		NO	
Lion's Star FRH Series, 313, 325, 353, 402, 403, 422	94-12/96	Meritor	29030/29113	CVP013		Full Acc. Kit	
Lion's Star FRH Series, 313, 325, 353, 402, 403, 422	01/97-	Meritor	29030/29113	CVP013		Full Acc. Kit	
MCW - BUS							
Metrorider (25 & 33 Seater)	82-	Meritor	29302	CVP001	CVP001	NO	
MENARINI - BUS							
Avancity L, N	00-	Meritor	29150	CVP081	CVP081		
M-Series, M240L, LI, N, M340, S, U	98-	Meritor	29150	CVP081	CVP081		
PCV (option)	00-	Meritor	29149	CVP080			
MERCEDES							
2100 - 3000 Series							
2531, 2538, 2544, 2550	91	Knorr	29087/29108	CVP020	CVP020	Full Acc. Kit	
Actros Series							
Actros - all	96	Knorr	29087/29108	CVP020	CVP020	Full Acc. Kit	
Atego Series							
Atego 1; 712, 715, 812, 815, 817, 823, 917, 923, 925, 1017, 1023 (Knorr-Bremse SB5000 caliper)	98-	Knorr	29115/29148	CVP035	CVP035	Full Acc. Kit	
Atego 1; 1215, 1215, 1223, 1225, 1228, 1317, 1323, 1325, 1328, 1517, 1523, 1525, 1528 (Knorr-Bremse SB6000 caliper)	98-	Knorr	29093/29095	CVP036	CVP036	Full Acc. Kit	
Atego 1; 1215, 1215, 1223, 1225, 1228, 1317, 1323, 1325, 1328, 1517, 1523, 1525, 1528 (Knorr-Bremse SB6000 caliper)	98-	Knorr	29095	CVP082	CVP082	Full Acc. Kit	
Atego 11; 1823, 1828, 2523, 2628 (Knorr-Bremse SB7000 caliper)	98-	Knorr	29087/29108	CVP020	CVP020	Full Acc. Kit	
Axor Series							
Axor - all	02-	Knorr	29087/29108	CVP020	CVP020	Full Acc. Kit	
Discos							
Discos Knorr-Bremse SB7000 caliper	98-	Knorr	29087/29108	CVP020	CVP020	Full Acc. Kit	
Econic							
Econic, 1823, 1828, 2628	98-	Knorr	29087/29108	CVP020	CVP020	Full Acc. Kit	
LN2 Series							
811	87-	Meritor	29835	CVP002		Full Acc. Kit	
MK90 Series							
1717AK	89-94	Knorr	29087/29108	CVP020		Full Acc. Kit	
Powerliner Series							
1820, 1827, 1831, 1834, 1838, 1844, 1850	91-	Knorr	29087/29108	CVP020		Full Acc. Kit	
Vario Series							
0409 (5t, 6t, 7.5t), 0609, 611, 614D	86-	Meritor	29835	CVP002		Full Acc. Kit	
508, 510, 511, 609, 611, 614, 709, 711, 714, 809, 811	86-	Meritor	29835	CVP002		Full Acc. Kit	
512, 612, 812, 614, 814	08/96-	Meritor	29835	CVP002		Full Acc. Kit	
Vito Series							
108D, 110D, 113, 114	95-	Meritor	29835	CVP002		Full Acc. Kit	
MERCEDES- BUS							
Evobus, Cito, Citaro	98-	Knorr	29087/29108	CVP020	CVP020	Full Acc. Kit	
810 Bus & Coach	97-	Meritor	29835	CVP002	CVP002	Full Acc. Kit	
814 Beaver Coach	97-	Meritor	29835	CVP002	CVP002	Full Acc. Kit	
Integro L, O550	00-	Meritor	29030/29113	CVP013		Full Acc. Kit	
Tourismo O350	03-	Knorr	29087/29108	CVP020	CVP020	Full Acc. Kit	
Travego O580	99-	Knorr	29087/29108	CVP020	CVP020	Full Acc. Kit	
Tourino O510	03-	Knorr	29093/29095	CVP036	CVP036	Full Acc. Kit	
Tourino O510 (option)	03-	Knorr	29095	CVP082	CVP082	Full Acc. Kit	

CV PADS



Make/Models	Year	CALIPER	WVA FRONT	Pad Part No FRONT	Pad Part No REAR	Fitting Kit (Included)	Wear Indicator (Available Separately)
MERCEDES - TRAILER AXLES							
Trailer axles fitted with Knorr-Bremse SB7000 brake	98-	Knorr	29087/29108	CVP020	CVP020	Full Acc. Kit	
NEOPLAN - BUS							
Low Chassis Buses N4008,4009,4010,4011,4014,4016,4024,4028	99-	Knorr	29087/29108	CVP020	CVP020	Full Acc. Kit	
Cityliner N116	90-	Knorr	29087/29108	CVP020	CVP020	Full Acc. Kit	
Jetliner N212, N213, N214	92-	Knorr	29087/29108	CVP020	CVP020	Full Acc. Kit	
Skyliner N122/3	92-	Knorr	29087/29108	CVP020	CVP020	Full Acc. Kit	
Spaceliner N117/2, N117/3	92-	Knorr	29087/29108	CVP020	CVP020	Full Acc. Kit	
Transliner N312, N314L, N316L, N321/3	90-	Knorr	29087/29108	CVP020	CVP020	Full Acc. Kit	
Centroliner Low Chassis N4407	88-	Wabco	29077/29092	CVP022		NO	
Centroliner, N4522	01/03-	Meritor	29131	CVP088	CVP088	Full Acc. Kit	
Euroliner N3316, N3318 MEMA	03-	Knorr	29087/29108	CVP020	CVP020	Full Acc. Kit	
Tourliner N2216SHD	03-	Knorr	29087/29108	CVP020	CVP020	Full Acc. Kit	
Various Series (082331100)	94-	Wabco	29055	CVP021		NO	
OPTARE - BUS							
Metrorider	89-	Meritor	29302	CVP001	CVP001	NO	
Solera SR Corta	01/02-	Knorr	29093/29095	CVP036	CVP036	Full Acc. Kit	BBW532
Solera SR Corta (option)	01/02-	Knorr	29095	CVP082	CVP082	Full Acc. Kit	BBW532
Solera	85-02	Meritor	29302	CVP001		NO	
Solo (all models)	02-	Wabco	29088	CVP032	CVP032	Full Acc. Kit	BBW522
Starrider (33 Seater)	87-	Meritor	29835	CVP002			BBW500
RENAULT							
Magnum AE Series							
380.19, 380.22, 385Ti, 500.19, 500.22	90-12/92	Meritor	29043	CVP009		NO	WL006 (Double) BBW530 (Single)
470.18, 470.19, 470.26, 470.18T 470.19T (Models fit- ted with D-Lisa Brake)	07/95-05/00	Meritor	29090	CVP023		Full Acc. Kit	WL032
390Ti18, 390Ti19, 390Ti26, 390Ti18T, 390Ti19T	92- (06/00-)	Meritor	29090	CVP023		Full Acc. Kit	WL032
430.18, 430.19, 430.26	7/95-05/00	Meritor	29090	CVP023		Full Acc. Kit	WL032
520.18, 520.19, 520.24, 520.26, 520.18T 520.19T, 520.22T, 520.24T	07/95-05/00	Meritor	29090	CVP023		Full Acc. Kit	WL032
560.18, 560.19, 560.26, 560.18T 560.19T	07/95-05/00	Meritor	29090	CVP023		Full Acc. Kit	WL013
420, 430, 470, 520, 560 Model Fitted With D-3 Brakes	7/95-05/00	Meritor	29030/29113	CVP013		Full Acc. Kit	WL011
385Ti18, 385Ti19, 385Ti24, 385Ti26, 385Ti18T 385Ti19T	92- (06/00-)	Meritor	29030/29113	CVP013		Full Acc. Kit	WL011
420Ti18T, 420Ti19T, 420Ti22T, 420Ti24T	92- (06/00-)	Meritor	29030/29113	CVP013		Full Acc. Kit	WL011
420Ti26T, 430.26T 470.26T 520.26T 560.26T	92- (06/00-)	Meritor	29030/29113	CVP013		Full Acc. Kit	WL011
430.18, 430.19, 430.26, 430.18T, 430.19T, 430.26T	92- (06/00-)	Meritor	29030/29113	CVP013		Full Acc. Kit	WL011
470.18, 470.19, 470.26, 470.18T 470.19T	92- (06/00-)	Meritor	29030/29113	CVP013		Full Acc. Kit	WL011
560.18, 560.19, 560.26, 560.18T 560.19T	92- (06/00-)	Meritor	29030/29113	CVP013		Full Acc. Kit	WL011
520.18, 520.19, 520.24, 520.26, 520.18T 520.19T,520.22T, 520.24T	92- (06/00-)	Meritor	29030/29113	CVP013		Full Acc. Kit	WL011
Magnum/Premium (Models fitted with D-Elsa 2 Brake)	00-	Meritor	29131	CVP088		Full Acc. Kit	WL025
Magnum E Tech Series (all models)	00-	Meritor	29131	CVP088	CVP088	Full Acc. Kit	WL025
New Magnum II Series							
Magnum 460.25, 460.26, 500.25, 500.26 Pusher Series fitted with Meritor VGT195 brake calipers (19.5" wheels)	06-	Meritor	29177	CVP303		Full Acc. Kit	
Magnum Dxi 12/ 13 Series fitted with Meritor Elsa 225-3 caliper (22.5" wheels)	06-	Meritor	29174	CVP305	CVP305	Full Acc. Kit	
Major Series							
R340, R385, R420, R429, Ti Models	93-	Meritor	29030/29113	CVP013		Full Acc. Kit	WL006 (Double)
R340, R385,	90-92	Meritor	29043	CVP009		NO	WL006
R350, R380,R420,429	90-92	Meritor	29043	CVP009		NO	WL006 (Double) BBW530 (Single)
R350, R380	93-	Meritor	29030/29113	CVP013		Full Acc. Kit	WL006
Manager Series							
260	87-	Meritor	29043	CVP009		NO	WL006 (Double) BBW530 (Single)
230Ti	90-93	Meritor	29043	CVP009		NO	WL006 (Double) BBW530 (Single)
270/280	87-	Meritor	29043	CVP009		NO	WL006 (Double) BBW530 (Single)

SECTION A

A

**S
E
C
T
I
O
N**



Make/Models	Year	CALIPER	VVA FRONT	Pad Part No FRONT	Pad Part No REAR	Fitting Kit (Included)	Wear Indicator (Available Separately)
RENAULT (continued)							
Manager Series (continued)							
G230Ti, 270, 280, 300, 330, 340Ti	4/90-12/92	Meritor	29043	CVP009		NO	WL006 (Double) BBW530 (Single)
G230Ti, 270, 280, 300, 330, 340Ti	01/93-	Meritor	29030/29113	CVP013		Full Acc. Kit	WL006 (Double) BBW530 (Single)
Mascot Van Series							
2.8TD (pad height 66.5mm)	01/01-	Brembo	29121	CVP026	CVP026	NO	BBW531
110.55,110.60,130.55,130.65,140.55,140.65 (pad height 69.5mm)	01-	Brembo	29160	CVP097	CVP026		BBW531
Maxter							
G230, G340 Ti	90-	BendixSee	29013	CVP006		NO	
G235, G270, G280, G300	90-	BendixSee	29013	CVP006		NO	
Midliner Series							
M120.12, M120.13, M140, M160, M200, M210, M250	01/89-12/94	BendixSee	29013	CVP006		NO	
M120, M140, M160, M200, M210, M230, M250	01/95-12/97	BendixSee	29097	CVP031		NO	
M120, M140.12, M140.13, M160.12, M160.13, M200.12, M210.12, M210.13, M250.13	01/98-	Meritor	29100	CVP084		NO	BBW516
S120.06, S120.07, S140.06, S140.07, S150.06, S150.07	09/91-	Meritor	29065	CVP016		NO	BBW504
S120.08, S120.09, S135.08A, S140.08, S140.09, 150.08, S150.09, 160.08, S160.09, S210.08, S210.08, S210.09, S210.09	09/91-	Meritor	29067	CVP019			BBW509 (Round) BBW510 (Oval)
S150.11, S150.13, S150.14	05/83-	BendixSee	29013	CVP006		NO	
S160.08, S160.09	09/91-	Meritor	29067	CVP019			BBW509 (Round) BBW510 (Oval)
S170.11, S170.13	86-	BendixSee	29013	CVP006		NO	
S210.08, S210.09	9/91-	Meritor	29067	CVP019			BBW509 (Round) BBW510 (Oval)
S220.11, S220.13, S220.14	86-90	BendixSee	29013	CVP006		NO	
Midlum Series							
135;150;180; 210; -07, 08, 09,10,12, (17.5" wheels)	03/00-	Wabco	29088	CVP032	CVP032	Full Acc. Kit	BBW521
210; 220; 250; 270 -12,16 (19.5") wheels	03/00-02/01	Meritor	29100	CVP084	CVP084	NO	BBW516
210; 220; 250; 270 -12,16 (19.5") wheels	03/01-	Wabco	29142	CVP087	CVP087	Full Acc. Kit	BBW528
210; 220; 250; 270 -12,16C	03/00-02/01	Meritor	29100	CVP084	CVP084	NO	BBW516
210; 220; 250; 270 -12,16B	03/01-	Wabco	29142	CVP087	CVP087	Full Acc. Kit	BBW528
New Midlum II Series							
Midlum 220.13, 220.14, 220.16, 240.13, 240.14, 240.16, 140.18, 280.13, 280.14, 280.16,180.18 Series fitted with Meritor Elsa 225-1 brake calipers (22.5" wheels)	06-	Meritor	29173	CVP304	CVP304	Full Acc. Kit	
Midlum 160.10, 190.10, 22.10 Series (Haldex Brake)	06-	Haldex	29181	CVP306		Full Acc. Kit	
PA Series							
160,180 MAROC	91-	BendixSee	29013	CVP006		NO	
160,180 MAROC (option)	91-	BendixSee	29097	CVP031		NO	
Premium Series							
210,250,260,300,340,000	01/98-05/00	Meritor	29090	CVP023		Full Acc. Kit	WL032
210.16, 210.18D (models fitted with D-3 Brake)	96-(06/00-)	Meritor	29030/29113	CVP013		Full Acc. Kit	WL011
250.16, 250.18D, 250.19	96-(06/00-)	Meritor	29030/29113	CVP013		Full Acc. Kit	WL011
260.16, 260.18, 260.19	96-(06/00-)	Meritor	29030/29113	CVP013		Full Acc. Kit	WL011
300.19, 300.26 D, T	96-(06/00-)	Meritor	29030/29113	CVP013		Full Acc. Kit	WL011
340.18, 340.19, 340.24, 340.26 D, T	96-(06/00-)	Meritor	29030/29113	CVP013		Full Acc. Kit	WL011
385.18, 385.19, 385.24, 385.26 D, T	04/96-12/97	Meritor	29030/29113	CVP013		Full Acc. Kit	WL011
400.18, 400.19, 400.24, 400.26 D, T	96-(06/00-)	Meritor	29030/29113	CVP013		Full Acc. Kit	WL011
210.16, 210.18D (models fitted with D-Elsa 2 Brake)	96-(06/00-)	Meritor	29131	CVP088		Full Acc. Kit	WL025
250.16, 250.18D, 250.19	96-(06/00-)	Meritor	29131	CVP088		Full Acc. Kit	WL025
260.16, 260.18, 260.19	96-(06/00-)	Meritor	29131	CVP088		Full Acc. Kit	WL025
300.19, 300.26 D, T	96-(06/00-)	Meritor	29131	CVP088		Full Acc. Kit	WL025
340.18, 340.19, 340.24, 340.26 D, T	96-(06/00-)	Meritor	29131	CVP088		Full Acc. Kit	WL025
385.18, 385.19, 385.24, 385.26 D, T	04/96-12/97	Meritor	29131	CVP088		Full Acc. Kit	WL025
400.18, 400.19, 400.24, 400.26 D, T	96-(06/00-)	Meritor	29131	CVP088		Full Acc. Kit	WL025
Premium Route 4x2 models	96-	Meritor	29131	CVP088	CVP088	Full Acc. Kit	WL025
New Premium II Series							
Premium Route and Pusher Series 410.18, 410.24,410.25, 410.26, 450.18, 450.24, 450.25, 450.26, 450.18 fitted with Meritor Elsa 225-3 caliper (22.5" wheels)	06-	Meritor	29174	CVP305	CVP305	Full Acc. Kit	
Premium Route 410.25, 410.26 Pusher & 450.25, 450.26 fitted with the Meritor VGT195 caliper (19.5" wheels) + (Lift Axles)	06-	Meritor	29177	CVP303		Full Acc. Kit	

CV PADS

SECTION A

Make/Models		Year	CALIPER	WVA FRONT	Pad Part No FRONT	Pad Part No REAR	Fitting Kit (Included)	Wear Indicator (Available Separately)
-------------	---	------	---------	-----------	-------------------	------------------	------------------------	---------------------------------------

RENAULT (continued)

<i>R Series</i>								
R310.22		85-	Brembo	29072	CVP011		NO	
R380.17, R380.19, R385 Ti		89- (01/93-)	Meritor	29030/29113	CVP013		Full Acc. Kit	WL006
R380.17, R380.19, R385 Ti (option)		89-12/92	Meritor	29043	CVP009		NO	WL006

RENAULT - BUS

Agora		95-98	Meritor	29030/29113	CVP013		Full Acc. Kit	WL013
Agora		98-	Meritor	29090	CVP023		Full Acc. Kit	WL013
Agora Grand Tourisme		80-	Meritor	29030/29113	CVP013		Full Acc. Kit	WL013
FR1 Bus		05/84-	Lucas	29044	CVP012		NO	
R312 Bus		89-	Brembo	29072	CVP011	CVP011	NO	
Liade		97-	Meritor	29030/29113	CVP013		Full Acc. Kit	WL013
Liade		00-	Meritor	29131	CVP088	CVP088	Full Acc. Kit	WL025

ROCKWELL ROR-TRAILER AXLES

Meritor D-Duco		98-	Meritor	29125	CVP037	CVP037	Full Acc. Kit	
Meritor D Elsa 2		98-	Meritor	29131	CVP088	CVP088	Full Acc. Kit	
Meritor D Lisa		98-	Meritor	29030/29113	CVP013	CVP013	Full Acc. Kit	
Meritor DX175		98-	Meritor	29149	CVP080	CVP080		
Meritor DX195		98-	Meritor	29124	CVP024	CVP024	Full Acc. Kit	
LM /LMC		98-	Meritor	29124	CVP024	CVP024	Full Acc. Kit	
Meritor Elsa 195		06-	Meritor	29177	CVP303	CVP303	Full Acc. Kit	
Meritor VGT195- LM & TM axles (19.5" wheels) + (Lift Axles)		06-	Meritor	29177	CVP303	CVP303	Full Acc. Kit	

SAF-TRAILER AXLES

Haldex DB22 caliper (SK RB 9022 H)		98-	Haldex	29143	CVP089	CVP089	Full Acc. Kit	BBW515
Knorr-Bremse SB6000 caliper		98-	Knorr	29093/29095	CVP036	CVP036	Full Acc. Kit	BBW532
Knorr-Bremse SB6000 caliper (option)		98-	Knorr	29095	CVP082	CVP082	Full Acc. Kit	BBW526
Perrot/Wabco PAN22-1 caliper		98-	Wabco	29162	CVP301	CVP301	Full Acc. Kit	WL051
SK 9019/11019 axles, Intradisc plus caliper		98-	Wabco	29126/29159	CVP090	CVP090	Full Acc. Kit	WL051
SK9022/11222K axles, Knorr-Bremse SB7000 caliper		98-	Knorr	29087/29108	CVP020	CVP020	Full Acc. Kit	BBW526

SCANIA

<i>4-Series</i>								
All models		96-	Knorr	29087/29108	CVP020	CVP020	Full Acc. Kit	BBW515 + WL028 + WL017 (Extension Lead)
<i>R-Series</i>								
All models		04-	Knorr	29087/29108	CVP020	CVP020	Full Acc. Kit	BBW515 + WL028 + WL017 (Extension Lead)

SCANIA - BUS

CN94UA		01-	Knorr	29087/29108	CVP020	CVP020	Full Acc. Kit	BBW515 + WL028 + WL017 (Extension Lead) BBW533 (Option)
CN94UB		01-	Knorr	29087/29108	CVP020	CVP020	Full Acc. Kit	BBW515 + WL028 + WL017 (Extension Lead) BBW533 (Option)
Irizar-Century PB		01-	Knorr	29087/29108	CVP020	CVP020	Full Acc. Kit	BBW515 + WL028 + WL017 (Extension Lead) BBW533 (Option)
L94UA		01-	Knorr	29087/29108	CVP020	CVP020	Full Acc. Kit	BBW515 + WL028 + WL017 (Extension Lead) BBW533 (Option)
L94UB		01-	Knorr	29087/29108	CVP020	CVP020	Full Acc. Kit	BBW515 + WL028 + WL017 (Extension Lead) BBW533 (Option)
N94UD		01-	Knorr	29087/29108	CVP020	CVP020	Full Acc. Kit	BBW515 + WL028 + WL017 (Extension Lead) BBW533 (Option)
94UA (BendiBus)		01-	Knorr	29087/29108	CVP020	CVP020	Full Acc. Kit	BBW515 + WL028 + WL017 (Extension Lead) BBW533 (Option)
Omnicity		00-	Knorr	29087/29108	CVP020	CVP020	Full Acc. Kit	BBW515 + WL028 + WL017 (Extension Lead) BBW533 (Option)



A

**S
E
C
T
I
O
N**

Make/Models	Year	CALIPER	WVA FRONT	Pad Part No FRONT	Pad Part No REAR	Fitting Kit (Included)	Wear Indicator (Available Separately)
SETRA - BUS							
200 Series, S215, S216	88-	Knorr	29498	CVP319		NO	
400 Series, S415, S417	01-	Knorr	29087/29108	CVP020	CVP020	Full Acc. Kit	
SMB-TRAILER AXLES							
Haldex DB20	98-	Haldex	29143	CVP089	CVP089	Full Acc. Kit	WL051
Knorr-Bremse SB7000 caliper	98-	Knorr	29087/29108	CVP020	CVP020	Full Acc. Kit	BBW526
Perrot/Wabco PAN 17 caliper	98-	Wabco	29088	CVP032	CVP032	Full Acc. Kit	
Perrot/Wabco PAN 19-1 caliper	98-	Wabco	29126/29159	CVP090	CVP090	Full Acc. Kit	WL051
Perrot/Wabco	06-	Knorr	29087/29108	CVP020	CVP020	Full Acc. Kit	
TVM - BUS							
Marbus B3 090 TH, TL, TLL	01-	Knorr	29093/29095	CVP036		Full Acc. Kit	BBW532
Marbus B3 090 TH, TL, TLL (option)	01-	Knorr	29095	CVP082		Full Acc. Kit	
Marbus B4 080	01-	Wabco	29088	CVP032	CVP032	Full Acc. Kit	
VANHOOL - BUS							
Coaches with MAN Chassis	94-	Meritor	29030/29113	CVP013		Full Acc. Kit	WL037
Corporation Bus with MAN Chassis	86-95	Meritor	29030/29113	CVP013		Full Acc. Kit	WL037
EOS Coach (all models)	87-	Knorr	29747	CVP338		NO	
VOLVO							
New FE Series							
New FE 240, 280, 320 models fitted with the Meritor Elsa 225-3 brake caliper (22.5" wheels)	06-	Meritor	29174	CVP305	CVP305	Full Acc. Kit	
FH Series							
FH12, 380, 420, 460, 520	99-	Meritor	29125	CVP037	CVP037	Full Acc. Kit	
Lift (tag axle)	01-	Meritor	29151		CVP300		
FH16 540,610	03-	Meritor	29125	CVP037	CVP300	Full Acc. Kit	
New FH Series							
New FH 400, 440, 480, 520 fitted with Meritor Elsa 225-1 brake caliper (22.5" wheels)	06-	Meritor	29173	CVP304	CVP304	Full Acc. Kit	
New FH 16/580,16/660, 400, 440, 480, 520 fitted with Meritor Elsa 225-3 brake caliper (22.5" wheels)	06-	Meritor	29174	CVP305		Full Acc. Kit	
New FH 16/580 & FH 16/660 models fitted with the Meritor VGT195 caliper (19.5" wheels)	06-	Meritor	29177	CVP303		Full Acc. Kit	
FL Series All							
FL180-7/8/9, 220-7/8/9, 250-7/8/9	00-	Meritor	29136	CVP038		Full Acc. Kit	
FL180-10/11/12, 220-10/11/12, 250-12/13/14/15	00-	Meritor	29137	CVP039		Full Acc. Kit	
FL4	85-02/90	Meritor	29302	CVP001	CVP001	NO	
FL406,408,411	03/90-	Meritor	29039	CVP008	CVP008		
FL6	85-02/90	Meritor	29302	CVP001	CVP001	NO	
FL607, 608, 609, 610, 611	03/90-	Meritor	29039	CVP008	CVP008		
FL610,611, 612	02-	Meritor	29136	CVP038	CVP038	Full Acc. Kit	
FL613, 614, 615	00-	Meritor	29137	CVP039	CVP039	Full Acc. Kit	
FL618, 619	10/91-2000	Meritor	29039	CVP008			
FL618	00-	Meritor	29125	CVP037		Full Acc. Kit	
FLE	01-	Meritor	29125	CVP037		Full Acc. Kit	
New FL II Series							
FL240, FL280	06-	Meritor	29173	CVP304	CVP304	Full Acc. Kit	
FLC Series							
FLC140	09/96-	Meritor	29039	CVP008	CVP008		
FM Series							
FM9, FM12	05/00-12/01	Meritor	29125	CVP037	CVP037	Full Acc. Kit	
FM Series, Generation 111, FM9, FM10, FM12	01/02-	Meritor	29125	CVP037	CVP037	Full Acc. Kit	
FM9, FM12 Lift (tag axle)	01-	Meritor	29151		CVP300		
New FM Series							
FM 300, 340, 360, 380, 400, 440, 480 models fitted with the Meritor Elsa 225-3 caliper (22.5" wheels)	06-	Meritor	29174	CVP305	CVP305	Full Acc. Kit	

CV PADS



Make/Models	Year	CALIPER	WVA FRONT	Pad Part No FRONT	Pad Part No REAR	Fitting Kit (Included)	Wear Indicator (Available Separately)
VOLVO (continued)							
FS Series							
FS716, 717, 718, 719	10/91-	Meritor	29039	CVP008			
VOLVO - BUS							
B7 (Single Deck)	85-01	Meritor	29090	CVP023	CVP037	Full Acc. Kit	WL032
B7 (Double Deck)	85-01	Meritor	29125	CVP037	CVP088	Full Acc. Kit	
B7F B7FA B7LA (BendiBus) & Eclipse		Meritor	29090	CVP023	CVP037	Full Acc. Kit	WL032
B7 (Single Deck)	01-	Meritor	29090	CVP023	CVP037	Full Acc. Kit	
B7 (Double Deck)	01-	Meritor	29125	CVP037	CVP088	Full Acc. Kit	
B9	06-	Meritor	29125	CVP037	CVP088	Full Acc. Kit	
B10BLE, B10L, Super Olympian	95-	Meritor	29090	CVP023		Full Acc. Kit	WL032
B12	85-01	Meritor	29090	CVP023		Full Acc. Kit	WL032
B12	01-	Meritor	29125	CVP037		Full Acc. Kit	
Merit	01-	Knorr	29093/29095	CVP036	CVP036	Full Acc. Kit	BBW532
YORK (Hendrickson) - TRAILER AXLES							
Knorr-Bremse SB7000 caliper	98-	Knorr	29087/29108	CVP020	CVP020	Full Acc. Kit	

SECTION A



Bendix



**CROSS REFERENCE
OE TO BENDIX**

B
S E C T I O N

Make	OE Pt No	BENDIX_FMP	(WVA)
Bedford	6199999	CVP001	29302
Bova	204552	CVP020	29087/29108
Bova	180220062	CVP338	29747
BPW	203121500	CVP036	29093/29095
BPW	509290040	CVP092	29165
BPW	509290050	CVP092	29165
BPW	509290060	CVP094	29171
BPW	509290070	CVP093	29167
BPW	536270020	CVP020	29087/29108
BPW	536270020	CVP093	29167
BPW	980102570	CVP020	29087/29108
BPW	980102570	CVP093	29167
BPW	980102750	CVP036	29093/29095
BPW	980102750	CVP092	29165
BPW	980102920	CVP020	29087/29108
BPW	980102920	CVP093	29167
BPW	980102930	CVP036	29093/29095
BPW	980102930	CVP092	29165
BPW	980106200	CVP020	29087/29108
BPW	980106200	CVP093	29167
BPW	980106210	CVP036	29093/29095
BPW	980106210	CVP092	29165
BPW	980106350	CVP092	29165
BPW	980106360	CVP020	29087/29108
BPW	980106360	CVP093	29167
BPW	980106430	CVP092	29165
BPW	980106440	CVP094	29171
BPW	980106450	CVP093	29167
BPW	980106950	CVP094	29171
BPW	980106960	CVP093	29167
BPW	980107090	CVP092	29165
DAF	1436901	CVP032	29088
DAF	1439324	CVP020	29087/29108
DAF	1440504	CVP086	29141
DAF	1617343	CVP020	29087/29108
DAF	1628064	CVP090	29159/29126
DAF	AMPA694	CVP022	29077
DAF	AMPA697	CVP022	29077
DAF	BBU8177	CVP003	29017
DAF	BBU8178	CVP003	29017
Ford	1660384	CVP001	29302
Ford	1668053	CVP001	29302
Ford	6199999	CVP001	29302
Ford	6204677	CVP001	29302
Hino	MDP5094	CVP002	29835
Iveco	254625	CVP081	29150
Iveco	519601	CVP025	29122
Iveco	1903486	CVP003	29017
Iveco	1906043	CVP019	29067
Iveco	1906070	CVP003	29017
Iveco	1906070	CVP027	29024
Iveco	1906144	CVP016	29065
Iveco	1906170	CVP014	29032
Iveco	1906183	CVP017	29001
Iveco	1906191	CVP015	29011
Iveco	1906216	CVP400	29016
Iveco	1906297	CVP007	29033
Iveco	1906298	CVP016	29065
Iveco	1906345	CVP003	29017
Iveco	1906401	CVP026	29121
Iveco	1906402	CVP019	29067
Iveco	1906416	CVP025	29122
Iveco	1906439	CVP020	29087/29108
Iveco	1906439	CVP083	29105
Iveco	1906459	CVP015	29011
Iveco	1906467	CVP020	29087/29108
Iveco	1906467	CVP032	29088
Iveco	1906999	CVP016	29065
Iveco	1907568	CVP014	29032
Iveco	1907569	CVP014	29032
Iveco	1907631	CVP015	29011
Iveco	1908614	CVP015	29011
Iveco	2992336	CVP036	29093/29095

Make	OE Pt No	BENDIX_FMP	(WVA)
Iveco	2992339	CVP026	29121
Iveco	2992348	CVP020	29087/29108
Iveco	2992476	CVP020	29087/29108
Iveco	2992479	CVP015	29011
Iveco	2992669	CVP081	29150
Iveco	2995552	CVP081	29150
Iveco	4856911	CVP014	29032
Iveco	4856912	CVP015	29011
Iveco	5004032	CVP400	29016
Iveco	7173036	CVP016	29065
Iveco	7173317	CVP015	29011
Iveco	19092981	CVP026	29121
Iveco	41211278	CVP020	29087/29108
Iveco	42470835	CVP026	29121
Iveco	42470846	CVP026	29121
Iveco	42536101	CVP097	29160
Iveco	50001106	CVP400	29016
Iveco	93161314	CVP010	29075
Kassbohrer	828400034	CVP319	29498
Kassbohrer	828400047	CVP319	29498
Kassbohrer	8284000146	CVP319	29498
Kassbohrer	8284000196	CVP319	29498
Kassbohrer	8284000209	CVP338	29747
Kassbohrer	8284058203	CVP319	29498
Kassbohrer	8284058204	CVP319	29498
Kassbohrer	8285000235	CVP338	29747
Kassbohrer	8285000571	CVP020	29087/29108
Kassbohrer	8285388435	CVP013	29030/29083/29113
Kassbohrer	8285388436	CVP013	29030/29083/29113
Kassbohrer	8285388436	CVP018	29053/29114
Kassbohrer	8285388533	CVP013	29030/29083/29113
Kassbohrer	8285388535	CVP013	29030/29083/29113
Kassbohrer	8285388535	CVP018	29053/29114
Kassbohrer	8285408463	CVP013	29030/29083/29113
Kassbohrer	8285408464	CVP013	29030/29083/29113
Kassbohrer	8285408464	CVP018	29053/29114
Kassbohrer	8285408534	CVP013	29030/29083/29113
Kassbohrer	8285515573	CVP020	29087/29108
Kassbohrer	8285521000	CVP013	29030/29083/29113
Kassbohrer	8285522000	CVP013	29030/29083/29113
Kassbohrer	8285525000	CVP013	29030/29083/29113
Kassbohrer	8285526000	CVP013	29030/29083/29113
Kassbohrer	82840002070	CVP319	29498
Kassbohrer	179241111131	CVP338	29747
Kassbohrer	KN250810	CVP319	29498
Kassbohrer	KN351605	CVP338	29747
Leyland/DAF	BBU8177	CVP003	29017
Leyland/DAF	BBU8177	CVP027	29024
Leyland/DAF	BBU8178	CVP003	29017
MAN	12182145	CVP032	29088
MAN	12999577	CVP032	29088
MAN	12999667	CVP032	29088
MAN	12999743	CVP032	29088
MAN	24070005	CVP032	29088
MAN	8150820530	CVP032	29088
MAN	81508046028	CVP021	29055
MAN	81508205005	CVP013	29030/29083/29113
MAN	81508205006	CVP013	29030/29083/29113
MAN	81508205007	CVP013	29030/29083/29113
MAN	81508205007	CVP018	29053/29114
MAN	81508205011	CVP021	29055
MAN	81508205011	CVP032	29088
MAN	81508205017	CVP036	29093/29095
MAN	81508205017	CVP082	29095
MAN	81508205020	CVP013	29030/29083/29113
MAN	81508205021	CVP013	29030/29083/29113
MAN	81508205021	CVP018	29053/29114
MAN	81508205022	CVP032	29088
MAN	81508205023	CVP032	29088
MAN	81508205024	CVP032	29088
MAN	81508205024	CVP033	29091
MAN	81508205025	CVP032	29088
MAN	81508205029	CVP032	29088

Make	OE Pt No	BENDIX_FMP	(WVA)
MAN	81508205030	CVP033	29091
MAN	81508205040	CVP013	29030/29083/29113
MAN	81508205041	CVP013	29030/29083/29113
MAN	81508205041	CVP018	29053/29114
MAN	81508205047	CVP013	29030/29083/29113
MAN	81508205048	CVP013	29030/29083/29113
MAN	81508205048	CVP018	29053/29114
MAN	81508205060	CVP013	29030/29083/29113
MAN	81508205061	CVP018	29053/29114
MAN	81508205064	CVP013	29030/29083/29113
MAN	81508205064	CVP013	29030/29083/29113
MAN	81508205065	CVP018	29053/29114
MAN	81508205066	CVP013	29030/29083/29113
MAN	81508205068	CVP013	29030/29083/29113
MAN	81508205069	CVP018	29053/29114
MAN	81508205072	CVP088	29131
MAN	81508205078	CVP013	29030/29083/29113
MAN	81508205080	CVP088	29131
MAN	81508205085	CVP035	29148
MAN	81508205087	CVP013	29030/29083/29113
MAN	81508205088	CVP018	29053/29114
MAN	81508205091	CVP013	29030/29083/29113
MAN	81508205092	CVP018	29053/29114
MAN	81508206000	CVP013	29030/29083/29113
MAN	81508206000	CVP013	29030/29083/29113
MAN	81508206001	CVP013	29030/29083/29113
MAN	81508206001	CVP018	29053/29114
MAN	81508206002	CVP013	29030/29083/29113
MAN	81508206002	CVP013	29030/29083/29113
MAN	81508206003	CVP013	29030/29083/29113
MAN	81508206003	CVP018	29053/29114
MAN	81508206004	CVP013	29030/29083/29113
MAN	81508206004	CVP013	29030/29083/29113
MAN	81508206005	CVP013	29030/29083/29113
MAN	81508206005	CVP018	29053/29114
MAN	81508206006	CVP032	29088
MAN	81508206007	CVP032	29088
MAN	81508206007	CVP033	29091
MAN	81508206008	CVP036	29093/29095
MAN	81508206008	CVP082	29095
MAN	81508206009	CVP021	29055
MAN	81508206010	CVP021	29055
MAN	81508206011	CVP021	29055
MAN	81508206014	CVP013	29030/29083/29113
MAN	81508206014	CVP013	29030/29083/29113
MAN	81508206015	CVP013	29030/29083/29113
MAN	81508206015	CVP018	29053/29114
MAN	81508206016	CVP013	29030/29083/29113
MAN	81508206016	CVP013	29030/29083/29113
MAN	81508206017	CVP013	29030/29083/29113
MAN	81508206017	CVP018	29053/29114
MAN	81508206019	CVP013	29030/29083/29113
MAN	81508206020	CVP032	29088
MAN	81508206021	CVP032	29088
MAN	81508206021	CVP033	29091
MAN	81508206022	CVP036	29093/29095
MAN	81508206022	CVP082	29095
MAN	81508206024	CVP013	29030/29083/29113
MAN	81508206025	CVP013	29030/29083/29113
MAN	81508206025	CVP013	29030/29083/29113
MAN	81508206026	CVP013	29030/29083/29113
MAN	81508206026	CVP018	29053/29114
MAN	81508206030	CVP020	29087/29108
MAN	81508206032	CVP020	29087/29108
MAN	81508206036	CVP013	29030/29083/29113
MAN	81508206036	CVP013	29030/29083/29113
MAN	81508206041	CVP088	29131
MAN	81508206042	CVP032	29088
MAN	81508206043	CVP035	29148
MAN	81508206044	CVP013	29030/29083/29113
MAN	81508206044	CVP013	29030/29083/29113
MAN	81508206046	CVP013	29030/29083/29113
MAN	81508206051	CVP088	29131

Make	OE Pt No	BENDIX_FMP	(WVA)
MAN	81508206054	CVP035	29148
MAN	81508206053	CVP033	29091
Mercedes	0004210510	CVP020	29087/29108
Mercedes	0004210710	CVP036	29093/29095
Mercedes	0004211010	CVP035	29148
Mercedes	0004211210	CVP035	29148
Mercedes	0004214310	CVP020	29087/29108
Mercedes	0014201520	CVP002	29835
Mercedes	0014210510	CVP035	29148
Mercedes	0014210610	CVP035	29148
Mercedes	0014212510	CVP035	29148
Mercedes	0014212610	CVP035	29148
Mercedes	0024200820	CVP013	29030/29083/29113
Mercedes	0024202220	CVP020	29087/29108
Mercedes	0024204920	CVP020	29087/29108
Mercedes	0024205520	CVP013	29030/29083/29113
Mercedes	0024205720	CVP002	29835
Mercedes	0024206220	CVP002	29835
Mercedes	0024207820	CVP036	29093/29095
Mercedes	0024207920	CVP036	29093/29095
Mercedes	0034201020	CVP020	29087/29108
Mercedes	0034201120	CVP035	29148
Mercedes	0034201220	CVP035	29148
Mercedes	0034201520	CVP002	29835
Mercedes	0034201620	CVP020	29087/29108
Mercedes	0034202020	CVP020	29087/29108
Mercedes	0034202220	CVP020	29087/29108
Mercedes	0034203520	CVP020	29087/29108
Mercedes	0034204620	CVP097	29160
Mercedes	0034206620	CVP035	29148
Mercedes	0034207220	CVP035	29148
Mercedes	0034207720	CVP002	29835
Mercedes	0044202220	CVP020	29087/29108
Mercedes	0044204820	CVP002	29835
Mercedes	2420222010	CVP020	29087/29108
Mercedes	3564210210	CVP013	29030/29083/29113
Mercedes	6694200020	CVP002	29835
Mercedes	6694200120	CVP002	29835
Mercedes	6694201520	CVP002	29835
Mercedes	6694210108	CVP002	29835
Mercedes	6704202820	CVP002	29835
Meritor	15227419T	CVP088	29131
Meritor	68324665M13	CVP303	29177
Meritor	MDP5038	CVP013	29030/29083/29113
Meritor	MDP5065	CVP013	29030/29083/29113
Meritor	MDP5076	CVP024	29124
Meritor	MDP5102	CVP304	29173
Neoplan	82134000	CVP020	29087/29108
Neoplan	82135100	CVP020	29087/29108
Neoplan	82331100	CVP021	29055
Neoplan	180220062	CVP338	29747
Renault	68321345	CVP023	29090
Renault	68321585	CVP084	29100
Renault	5000297198	CVP009	29043
Renault	5000297345	CVP009	29043
Renault	5000297808	CVP006	29013
Renault	5000450158	CVP006	29013
Renault	5000525640	CVP009	29043
Renault	5000545242	CVP006	29013
Renault	5000792539	CVP009	29043
Renault	5000813673	CVP006	29013
Renault	5000814345	CVP012	29044
Renault	5000821964	CVP009	29043
Renault	5001014694	CVP016	29065
Renault	5001014704	CVP019	29067
Renault	5001621995	CVP006	29013
Renault	5001821995	CVP006	29013
Renault	5001821995	CVP011	29072
Renault	5001822987	CVP009	29043
Renault	5001823000	CVP013	29030/29083/29113
Renault	5001823557	CVP012	29044
Renault	5001825640	CVP009	29043
Renault	5001829545	CVP031	29097

SECTION B

B
S E C T I O N

Make	OE Pt No	BENDIX_FMP	(WVA)
Renault	5001831161	CVP023	29090
Renault	5001833104	CVP084	29100
Renault	5001833114	CVP023	29090
Renault	5001834075	CVP013	29030/29083/29113
Renault	5001834448	CVP011	29072
Renault	5001844747	CVP026	29121
Renault	5001844748	CVP097	29160
Renault	5001846034	CVP023	29090
Renault	5001848363	CVP013	29030/29083/29113
Renault	5001855646	CVP088	29131
Renault	5001855902	CVP087	29142
Renault	5001857075	CVP026	29121
Renault	5001857615	CVP084	29100
Renault	5001864363	CVP305	29174
Renault	5001864364	CVP305	29174
Renault	5001864365	CVP304	29173
Renault	5001864380	CVP303	29177
Renault	5001866914	CVP306	29181
Renault	5010104739	CVP011	29072
Renault	5010151214	CVP011	29072
Renault	5010207049	CVP011	29072
Renault	5010216437	CVP013	29030/29083/29113
Renault	5010216548	CVP009	29043
Renault	5010598372	CVP306	29181
Renault	5010848607	CVP032	29088
Renault	211433057008000	CVP090	29159/29126
Sauer/SAF	81163	CVP089	29143
Sauer/SAF	87407	CVP089	29143
Sauer/SAF	0233501309	CVP301	29162
Sauer/SAF	3057007700	CVP020	29087/29108
Sauer/SAF	3057007800	CVP036	29093/29095
Sauer/SAF	3057007900	CVP020	29087/29108
Sauer/SAF	3057008000	CVP090	29159/29126
Sauer/SAF	3057008400	CVP301	29162
Sauer/SAF	3057317900	CVP089	29143
Sauer/SAF	5317002300	CVP020	29087/29108
Sauer/SAF	5317002400	CVP036	29093/29095
Sauer/SAF	37779813840	CVP036	29093/29095
Sauer/SAF	37780006200	CVP036	29093/29095
Sauer/SAF	12182192	CVP090	29159/29126
Sauer/SAF	12999737	CVP090	29159/29126
Scania	1390428	CVP020	29087/29108
Scania	RS188923057317900	CVP089	29143
SETRA	82840034	CVP319	29498
SETRA	828400347	CVP319	29498
Volvo	1078439	CVP037	29125
Volvo	2761476	CVP008	29039
Volvo	3093531	CVP038	29136
Volvo	3093532	CVP039	29137
Volvo	3093919	CVP023	29090
Volvo	3095396	CVP037	29125
Volvo	3098048	CVP001	29302
Volvo	3099533	CVP300	29151
Volvo	6779998	CVP008	29039
Volvo	6779999	CVP001	29302
Volvo	20568711	CVP305	29174
Volvo	20568712	CVP304	29173
Volvo	20568713	CVP303	29177
Volvo	20568714	CVP305	29174
Volvo	20568715	CVP304	29173
Volvo	20765963	CVP303	29177
Volvo	20768092	CVP037	29125
Volvo	20768101	CVP300	29151
Volvo	20768115	CVP039	29137
Volvo	20780788	CVP306	29181
Volvo	20844903	CVP306	29181
Volvo	21352570	CVP305	29174
Volvo	21352573	CVP304	29173
Volvo	30900484	CVP001	29302
Volvo	30900784	CVP001	29302
Volvo	85506111	CVP023	29090
Volvo	119904365	CVP338	29747
Volvo	VAL541604	CVP008	29039

Make	OE Pt No	BENDIX_FMP	(WVA)
Pagid	C1000	CVP319	29498
Pagid	C1002	CVP338	29747
Pagid	C1004	CVP020	29087/29108
Pagid	C1014	CVP020	29087/29108
Pagid	C1006	CVP036	29093/29095
Pagid	C1006	CVP082	29095
Pagid	C1008	CVP035	29148
Pagid	C1020	CVP083	29105
Pagid	C2000	CVP009	29043
Pagid	C2002	CVP012	29044
Pagid	C2004	CVP002	29835
Pagid	C2006	CVP016	29065
Pagid	C2010	CVP013	29030/29083/29113
Pagid	C2012	CVP013	29030/29083/29113
Pagid	C2022	CVP013	29030/29083/29113
Pagid	C2032	CVP013	29030/29083/29113
Pagid	C2011	CVP018	29053/29114
Pagid	C2023	CVP018	29053/29114
Pagid	C2014	CVP025	29122
Pagid	C2016	CVP023	29090
Pagid	C2018	CVP019	29067
Pagid	C2020	CVP008	29039
Pagid	C2024	CVP084	29100
Pagid	C2028	CVP024	29124
Pagid	C2040	CVP037	29125
Pagid	C2042	CVP088	29131
Pagid	C2044	CVP038	29136
Pagid	C2046	CVP039	29137
Pagid	C2048	CVP089	29143
Pagid	C3000	CVP001	29302
Pagid	C3008	CVP015	29011
Pagid	C3010	CVP014	29032
Pagid	C3014	CVP007	29033
Pagid	C4020	CVP003	29017
Pagid	C4022	CVP027	29024
Pagid	C4026	CVP017	29001
Pagid	C4030	CVP026	29121
Pagid	C4032	CVP032	29088
Pagid	C4033	CVP033	29091
Pagid	C4034	CVP021	29055
Pagid	C4036	CVP022	29077
Pagid	C4048	CVP090	29159/29126
Pagid	C4054	CVP086	29141
Pagid	C4056	CVP087	29142
Pagid	C4070	CVP097	29160
Pagid	C4072	CVP301	29162
Pagid	C6012	CVP011	29072
Pagid	C6016	CVP010	29075
Pagid	C9002	CVP006	29013
Pagid	C9004	CVP031	29097
TRW	GDB5056	CVP001	29302
TRW	GDB5050	CVP002	29835
TRW	GDB5054	CVP003	29017
TRW	GDB5055	CVP005	29024
TRW	GDB5051	CVP006	29013
TRW	GDB5057	CVP008	29039
TRW	GDB5008	CVP009	29043
TRW	GDB5060	CVP010	29075
TRW	GDB5064	CVP011	29072
TRW	GDB5066	CVP012	29044
TRW	GDB5000	CVP013	29030
TRW	GDB5065	CVP013	29030
TRW	GDB5022	CVP014	29032
TRW	GDB5024	CVP015	29011
TRW	GDB5004	CVP016	29065
TRW	GDB5062	CVP017	29001
TRW	GDB5005	CVP019	29067
TRW	GDB5058	CVP019	29067
TRW	GDB5063	CVP020	29087
TRW	GDB5067	CVP020	29087
TRW	GDB5059	CVP021	29055
TRW	GDB5070	CVP022	29077
TRW	GDB5019	CVP023	29090

Make	OE Pt No	BENDIX_FMP	(WVA)
TRW	GDB5082	CVP024	29124
TRW	GDB5068	CVP025	29122
TRW	GDB5053	CVP027	29017
TRW	GDB5052	CVP031	29097
TRW	GDB5069	CVP032	29088
TRW	GDB5073	CVP035	29115
TRW	GDB5072	CVP036	29025
TRW	GDB5085	CVP037	29125
TRW	GDB5088	CVP038	29136
TRW	GDB5089	CVP039	29137
TRW	GDB5099	CVP081	29150
TRW	GDB5071	CVP084	29100
TRW	GDB5084	CVP086	29141
TRW	GDB5084	CVP087	29142
TRW	GDB5086	CVP088	29131
TRW	GDB5090	CVP089	29143
TRW	GDB5083	CVP090	29126
TRW	GDB5095	CVP090	29159
TRW	GDB5092	CVP092	29165
TRW	GDB5091	CVP093	29167
TRW	GDB5093	CVP094	29171
TRW	GDB5094	CVP301	29162
TRW	GDB5102	CVP304	29173
TRW	GDB5096	CVP305	29174
TRW	GDB5100	CVP306	29181
TRW	GDB5081	CVP319	29498
TRW	GDB5087	CVP338	29747
TRW	GDB5076	CVP400	29016
TRW	GDB5077	CVP400	29016
FERODO	FCV1042	CVP022	29077
FERODO	FCV1046	CVP031	29097
FERODO	FCV1047	CVP023	29090
FERODO	FCV1126	CVP025	29122
FERODO	FCV1136	CVP084	29100
FERODO	FCV1277	CVP035	29115
FERODO	FCV1279	CVP032	29088
FERODO	FCV1314	CVP024	29124
FERODO	FCV1329	CVP036	29025
FERODO	FCV1367	CVP089	29143
FERODO	FCV1373	CVP020	29087
FERODO	FCV1386	CVP038	29136
FERODO	FCV1387	CVP039	29137
FERODO	FCV1388	CVP037	29125
FERODO	FCV1389	CVP086	29141
FERODO	FCV1389	CVP087	29142
FERODO	FCV1404	CVP088	29131
FERODO	FCV1406	CVP090	29126
FERODO	FCV1677	CVP093	29167
FERODO	FCV1678	CVP092	29165
FERODO	FCV1775	CVP301	29162
FERODO	FCV1789	CVP094	29171
FERODO	FCV376	CVP003	29017
FERODO	FCV376	CVP027	29017
FERODO	FCV501	CVP002	29835
FERODO	FCV503	CVP005	29024
FERODO	FCV523	CVP001	29302
FERODO	FCV594	CVP338	29747
FERODO	FCV624	CVP011	29072
FERODO	FCV668	CVP006	29013
FERODO	FCV702	CVP008	29039
FERODO	FCV733	CVP019	29067
FERODO	FCV735	CVP013	29030
FERODO	FCV738	CVP319	29498
FERODO	FCV753	CVP012	29044
FERODO	FCV760	CVP013	29030
FERODO	FCV769	CVP009	29043
FERODO	FCV770	CVP014	29032
FERODO	FCV773	CVP015	29011
FERODO	FCV801	CVP010	29075
FERODO	FCV852	CVP017	29001
FERODO	FCV879	CVP016	29065
FERODO	FCV983	CVP400	29016
FERODO	FCV987	CVP021	29055

Make	OE Pt No	BENDIX_FMP	(WVA)
TEXTAR	29001 200 0 5	CVP017	29001
TEXTAR	29011 250 0 4	CVP015	29011
TEXTAR	29013 215 0 5	CVP006	29013
TEXTAR	29016 280 0 4	CVP400	29016
TEXTAR	29016 280 0 4	CVP400	29016
TEXTAR	29017 230 0 4	CVP003	29017
TEXTAR	29017 230 0 4	CVP027	29017
TEXTAR	29017 230 0 5	CVP005	29024
TEXTAR	29030 282 1 4	CVP013	29030
TEXTAR	29030 282 1 4	CVP013	29030
TEXTAR	29032 250 0 4	CVP014	29032
TEXTAR	29039 210 0 5	CVP001	29302
TEXTAR	29039 210 0 5	CVP008	29039
TEXTAR	29043 240 0 4	CVP009	29043
TEXTAR	29044 200 0 5	CVP012	29044
TEXTAR	29055 220 0 4	CVP021	29055
TEXTAR	29065 220 0 4	CVP016	29065
TEXTAR	29067 220 0 4	CVP019	29067
TEXTAR	29067 220 0 4	CVP019	29067
TEXTAR	29072 192 0 8	CVP011	29072
TEXTAR	29075 200 0 5	CVP010	29075
TEXTAR	29077 270 0 5	CVP022	29077
TEXTAR	29087 300 1 4	CVP020	29087
TEXTAR	29087 300 1 4	CVP020	29087
TEXTAR	29088 260 0 4	CVP032	29088
TEXTAR	29090 282 1 4	CVP023	29090
TEXTAR	29097 205 0 5	CVP031	29097
TEXTAR	29100 252 0 4	CVP084	29100
TEXTAR	29122 220 0 4	CVP025	29122
TEXTAR	29124 270 1 4	CVP024	29124
TEXTAR	29125 292 1 4	CVP037	29125
TEXTAR	29131 302 1 4	CVP088	29131
TEXTAR	29136 292 0 4	CVP038	29136
TEXTAR	29137 292 0 4	CVP039	29137
TEXTAR	29141 298 0 4	CVP086	29141
TEXTAR	29142 298 0 4	CVP087	29142
TEXTAR	29143 300 2 4	CVP089	29143
TEXTAR	29148 340 2 5	CVP035	29115
TEXTAR	29150 300 0 4	CVP081	29150
TEXTAR	29159 298 2 4	CVP090	29159
TEXTAR	29162 317 1 4	CVP301	29162
TEXTAR	29165 300 2 4	CVP092	29165
TEXTAR	29167 300 1 4	CVP093	29167
TEXTAR	29171 300 1 4	CVP094	29171
TEXTAR	29173 292 2 4	CVP304	29173
TEXTAR	29174 292 2 4	CVP305	29174
TEXTAR	29181 300 1 4	CVP306	29181
TEXTAR	29498 200 0 8	CVP319	29498
TEXTAR	29747 325 0 8	CVP338	29747
TEXTAR	29835 220 0 4	CVP002	29835
MERITOR	MDP1042	CVP022	29077
MERITOR	MDP1047	CVP023	29090
MERITOR	MDP1126	CVP025	29122
MERITOR	MDP1277	CVP035	29115
MERITOR	MDP1279	CVP032	29088
MERITOR	MDP1314	CVP024	29124
MERITOR	MDP1329	CVP036	29025
MERITOR	MDP1367	CVP089	29143
MERITOR	MDP1373	CVP020	29087
MERITOR	MDP1386	CVP038	29136
MERITOR	MDP1387	CVP039	29137
MERITOR	MDP1388	CVP037	29125
MERITOR	MDP1389-1	CVP086	29141
MERITOR	MDP1389-2	CVP087	29142
MERITOR	MDP1404	CVP088	29131
MERITOR	MDP1406	CVP090	29126
MERITOR	MDP1677	CVP093	29167
MERITOR	MDP1678	CVP092	29165
MERITOR	MDP1775	CVP301	29162
MERITOR	MDP1789	CVP094	29171
MERITOR	MDP376	CVP003	29017
MERITOR	MDP501	CVP002	29835
MERITOR	MDP503	CVP005	29024

B
S
E
C
T
I
O
N

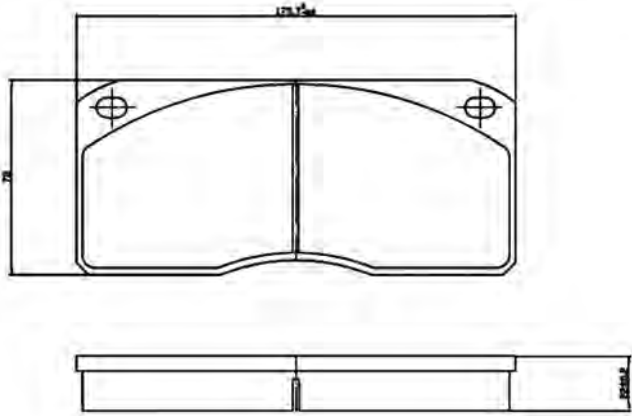
Make	OE Pt No	BENDIX_FMP	(WVA)
MERITOR	MDP523	CVP001	29302
MERITOR	MDP594	CVP338	29747
MERITOR	MDP624	CVP011	29072
MERITOR	MDP668	CVP006	29013
MERITOR	MDP733	CVP019	29067
MERITOR	MDP738	CVP319	29498
MERITOR	MDP753	CVP012	29044

Make	OE Pt No	BENDIX_FMP	(WVA)
MERITOR	MDP760	CVP013	29030
MERITOR	MDP769	CVP009	29043
MERITOR	MDP770	CVP014	29032
MERITOR	MDP773	CVP015	29011
MERITOR	MDP879	CVP016	29065
MERITOR	MDP987	CVP021	29055

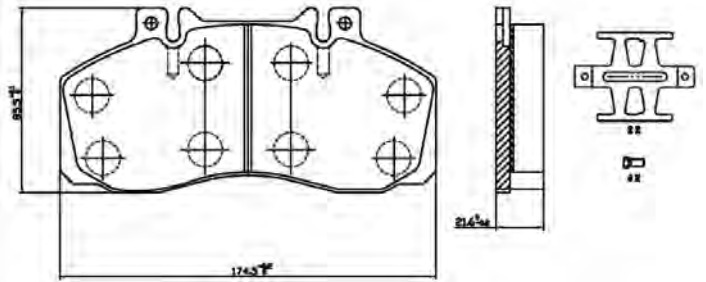
Bendix



*CV PADS
ILLUSTRATIONS*

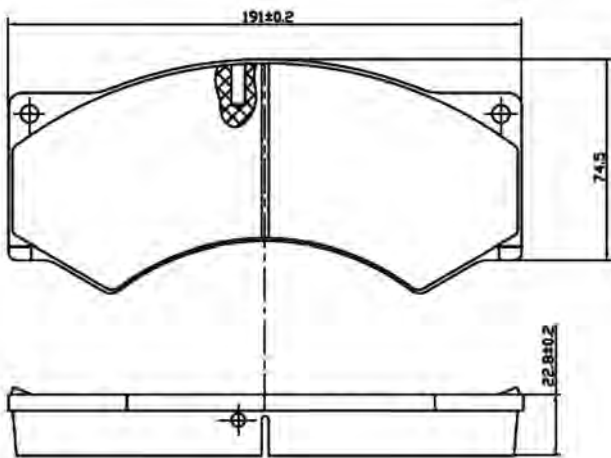


CVP001 : WVA29302 :
Meritor 2x68 / FORD / VOLVO / MCW

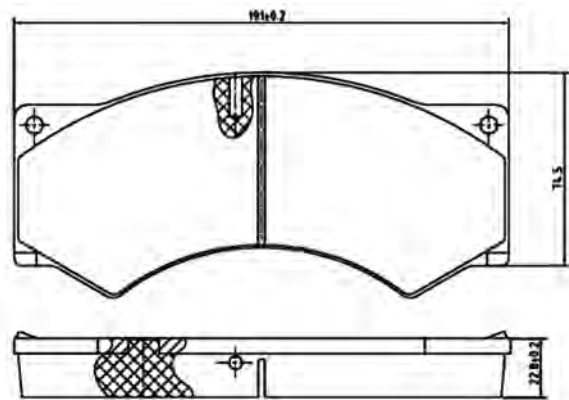


With Full Brake Kits

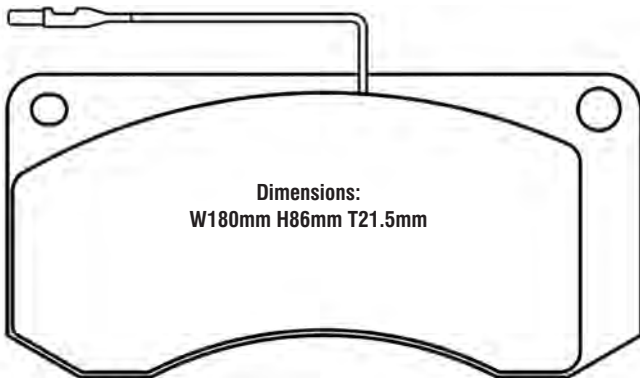
CVP002 : WVA29835 :
Meritor 2x60 / MERCEDES / OPTARE BUS



CVP003 : WVA 29017 :
Wabco 456 F-0 / DAF / IVECO / LEYLAND

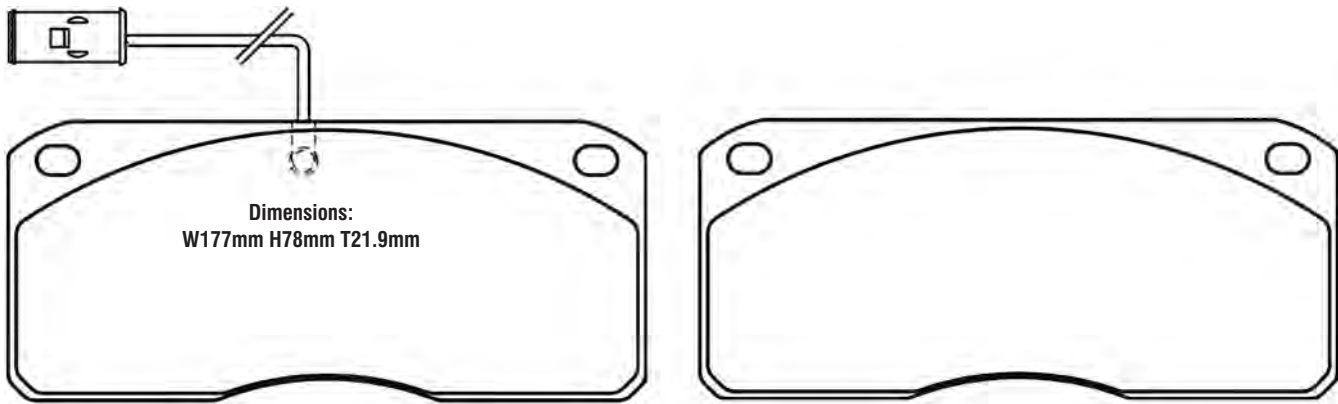


CVP005 : WVA 29024 :
Wabco 456 -0 / DAF / IVECO

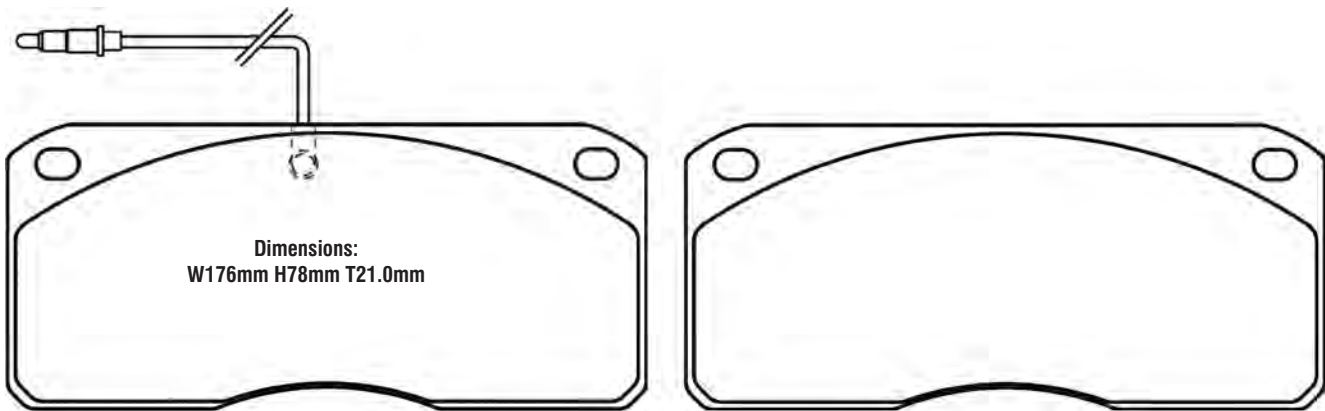


CVP006 : WVA29013 :
Bendix S.E.E 2 x 67 / DENNIS / RVI

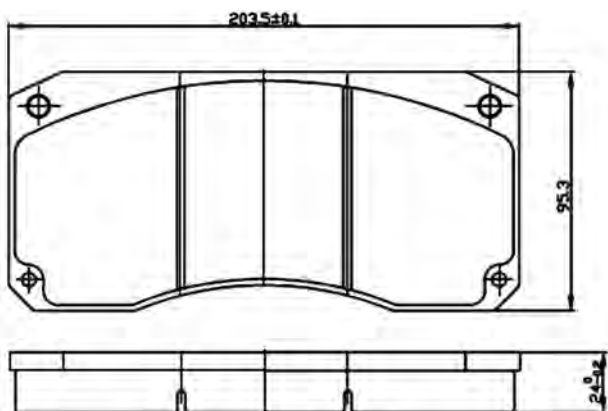
DRAWINGS NOT TO SCALE



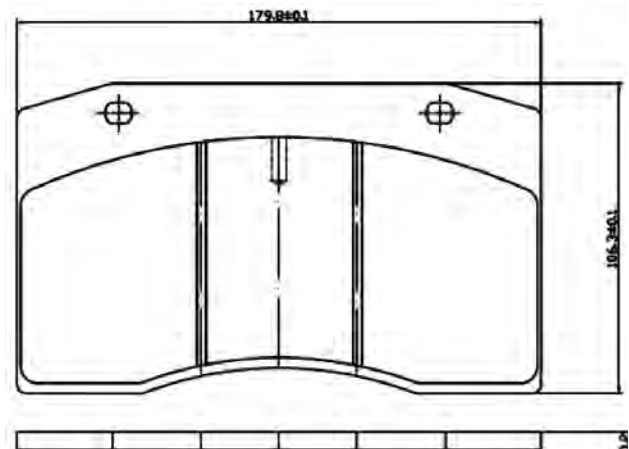
CVP007 : WVA29033 :
Meritor 2x60 / IVECO



CVP008 : WVA29039 :
Meritor 2x68 / FORD / VOLVO

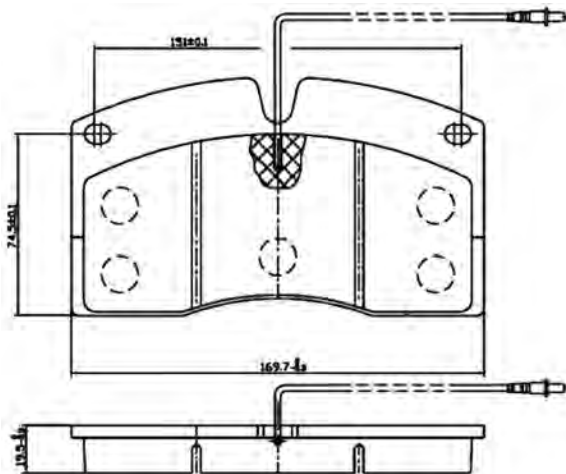


CVP009 : WVA 29043 :
Meritor D2 / DENNIS / RVI

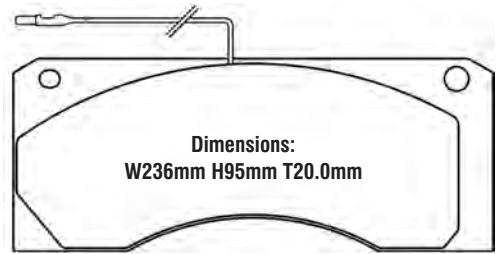


CVP010: WVA29075 :
Brembo / IVECO BUS

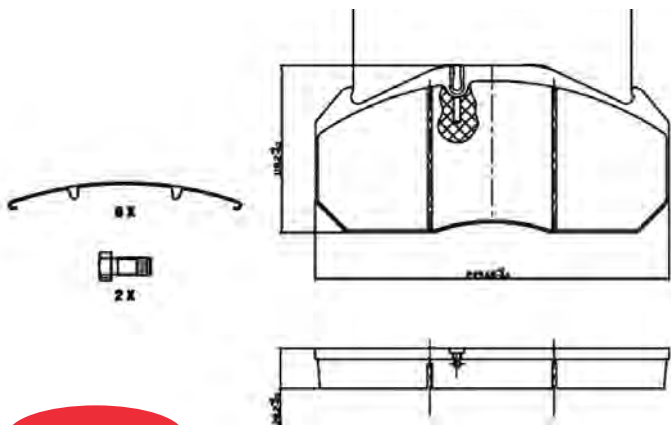
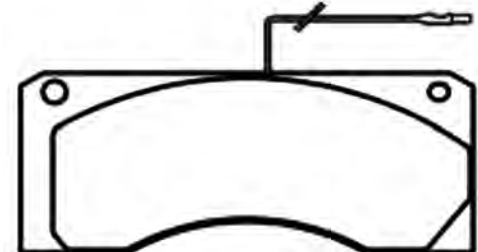
DRAWINGS NOT TO SCALE



CVP011 : WVA 29072 :
Brembo Bi Disc / RVI

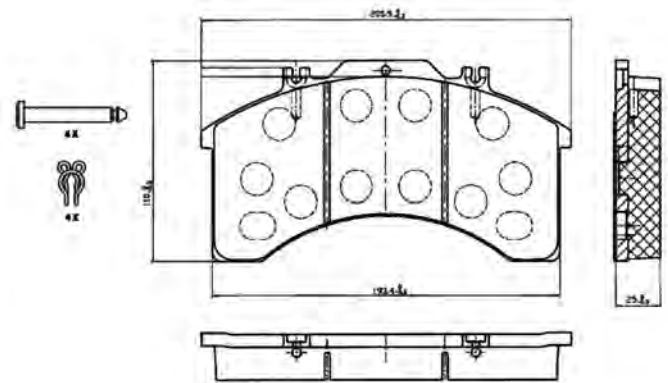


CVP012 : WVA 29044 :
Lucas / RVI



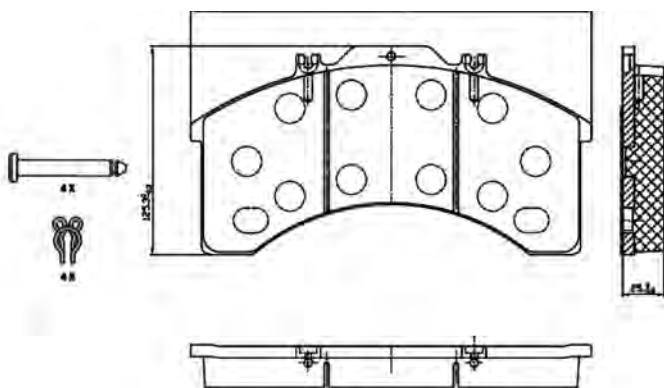
With Full Brake Kits

CVP013 : WVA 29030/ 29113 :
Meritor D3 DENNIS / MAN/ RVI / ERF/ MERCEDES /
VANHOOL/ KASSBOHRER



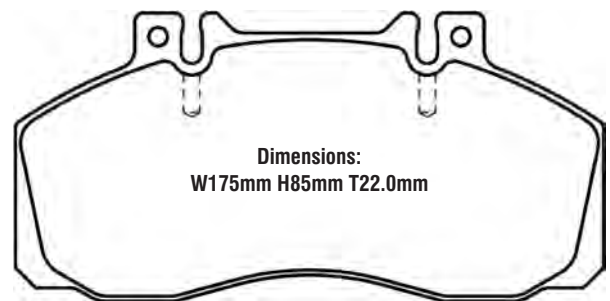
With Full Brake Kits

CVP014 : WVA 29032 :
Knorr Bremse 3700 FORD / IVECO

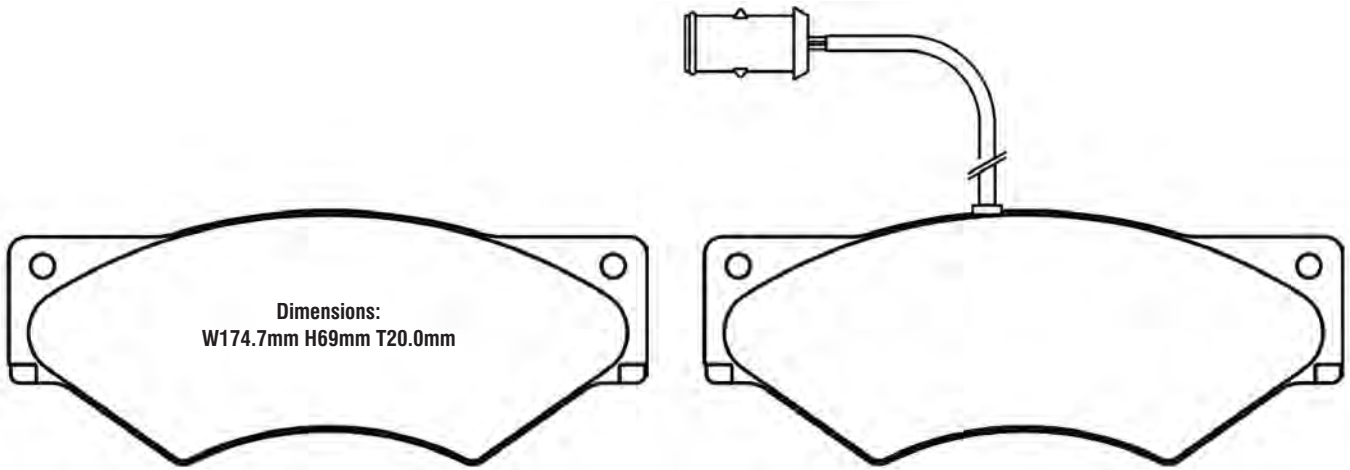


With Full Brake Kits

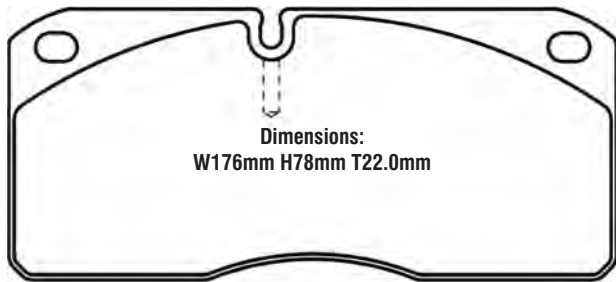
CVP015 : WVA 29011 :
Knorr Bremse 4300 / FORD / IVECO



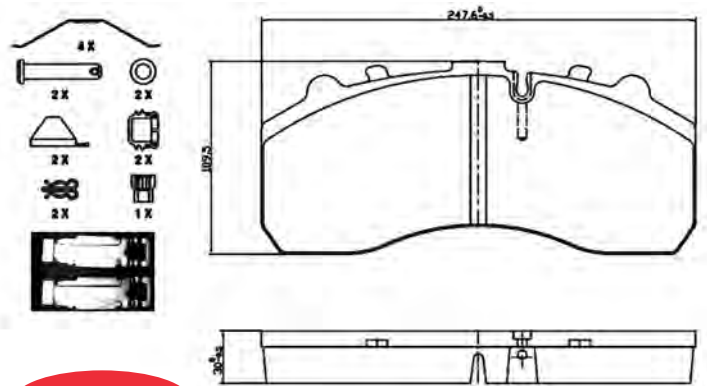
CVP016 : WVA29065 :
Meritor 2x60 / RVI / IVECO



CVP017 : WVA29001 :
Wabco 450-FO / IVECO

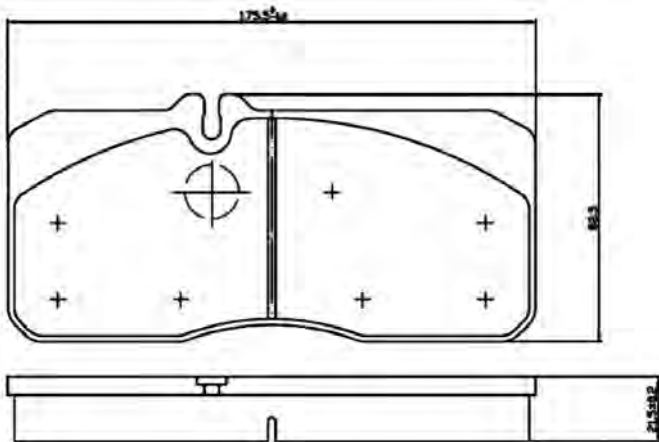


CVP019 : WVA29067 :
Meritor 6x68 / IVECO / RVI

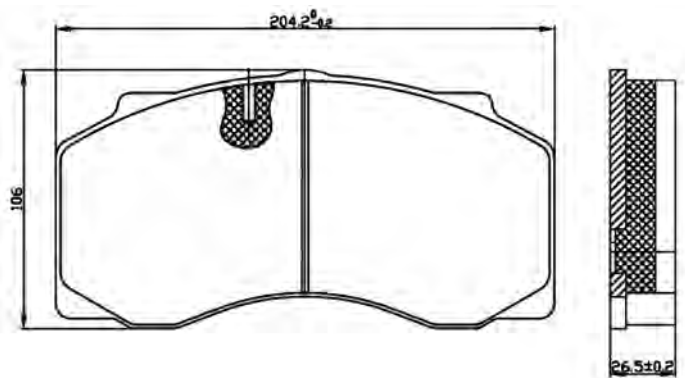


With Full Brake Kits

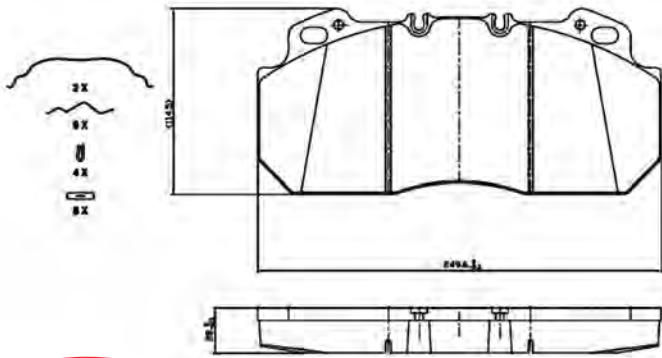
CVP020 : WVA29087/29108 :
Knorr SB7000 / DENNIS / MAN/ ERF/ MERCEDES/
SCANIA/ NEOPLAN / SAF



CVP021 : WVA 29055:
Wabco 1000VG / MAN / NEOPLAN

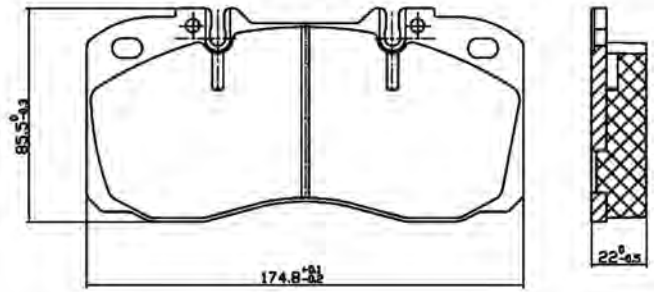


CVP022 : WVA29077 :
Wabco 1600VG/ DAF / NEOPLAN



With Full Brake Kits

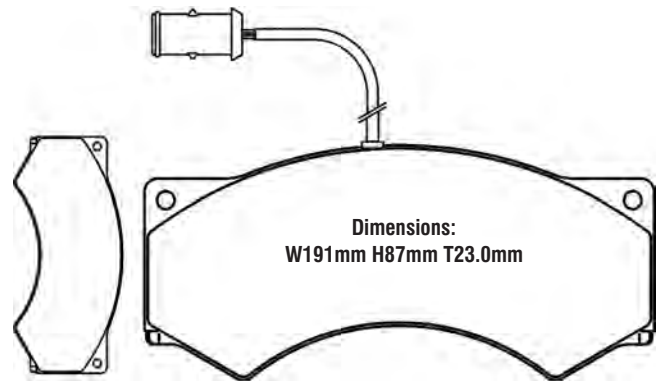
CVP023 : WVA29090 :
Meritor D-Lisa DENNIS/ VOLVO / RVI / HEULIEZ



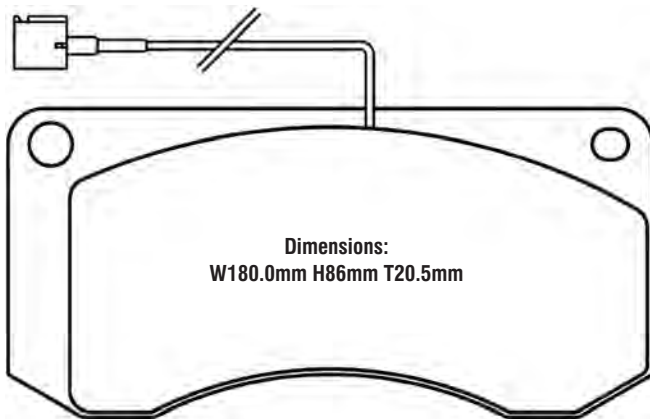
CVP025 : WVA29122 :
Brembo / IVECO



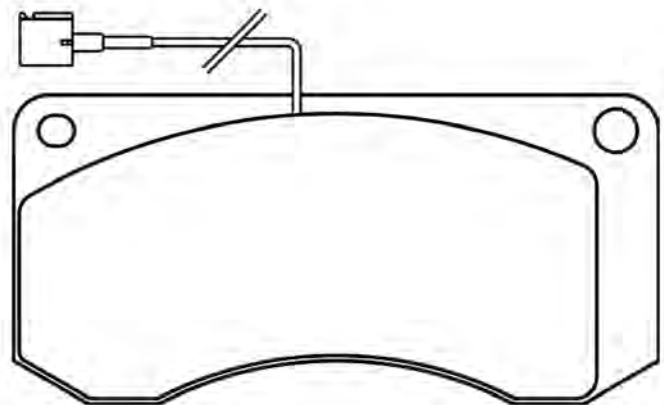
CVP026 : WVA29121 :
Brembo / IVECO / RVI / OPTARE



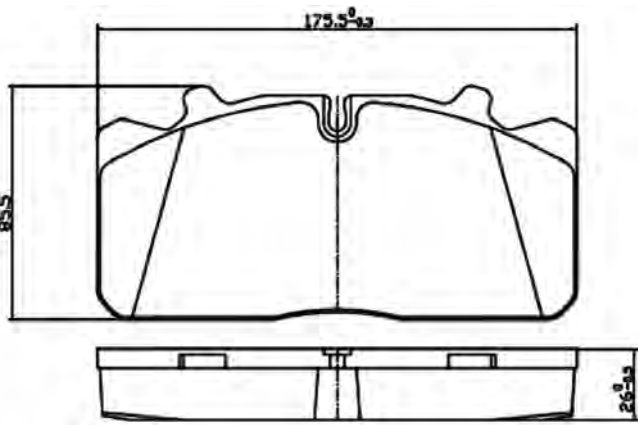
CVP027 : WVA29024 :
Wabco 2 x 56 / IVECO / DAF



CVP031 : WVA29097 :
Bendix S.E.E 2 x 67 / RVI

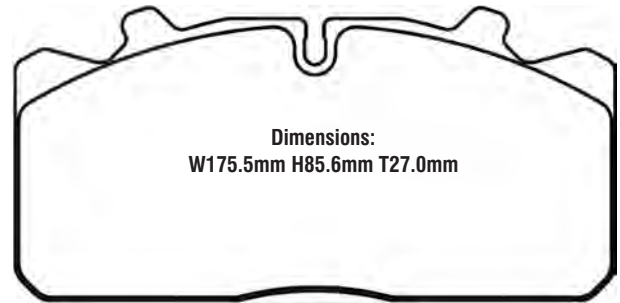


DRAWINGS NOT TO SCALE

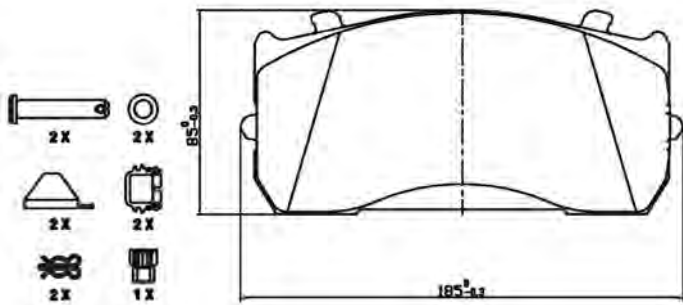


With Full Brake Kits

CVP032 : WVA29088 :
Wabco Pan17 / DAF / IVECO /
MAN / RVI / BMC / AUTOSAN

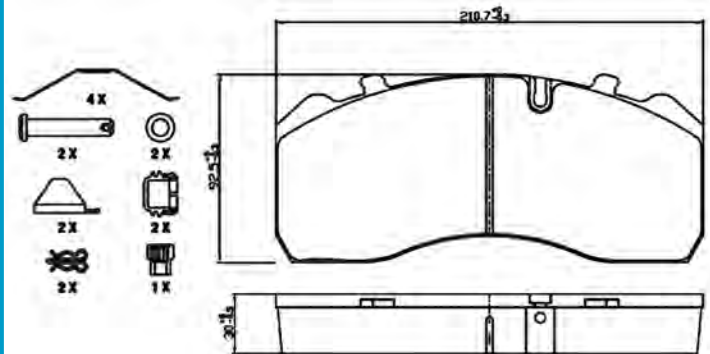


CVP033 : WVA29091 :
Wabco Pan17 / MAN



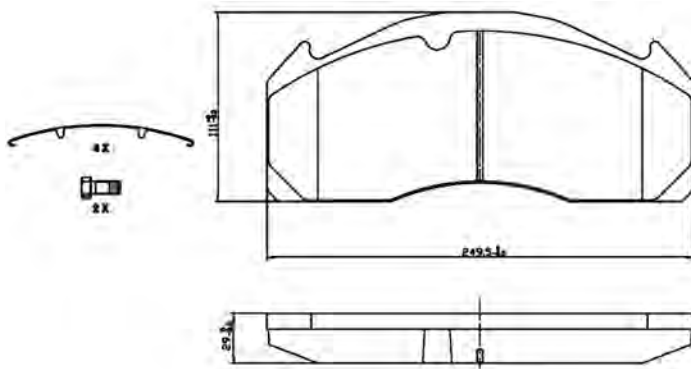
With Full Brake Kits

CVP035 : WVA29148 /29115 :
Knorr SB5000 / MAN / MERCEDES / BPW



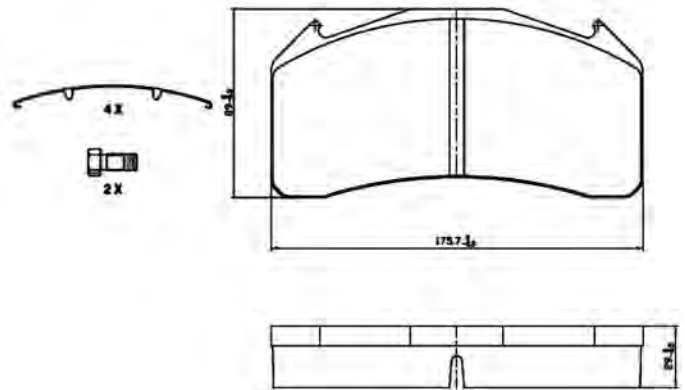
With Full Brake Kits

CVP036 : WVA29093/29095 :
Knorr SB6000/ DAF/ IVECO/
MERCEDES/ MAN / OPTAR / VOLVO /SAF



With Full Brake Kits

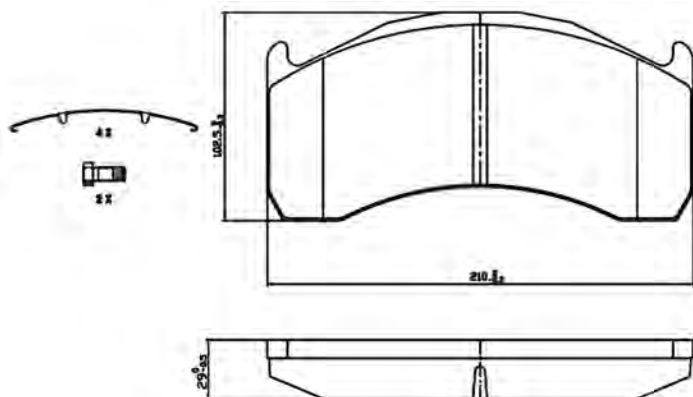
CVP037 : WVA 29125 :
Meritor D-Duco/ ROCKWELL ROR / VOLVO / VOLVO BUS



CVP038 : WVA29136 :
Meritor B-Duco / VOLVO

C

**S
E
C
T
I
O
N**



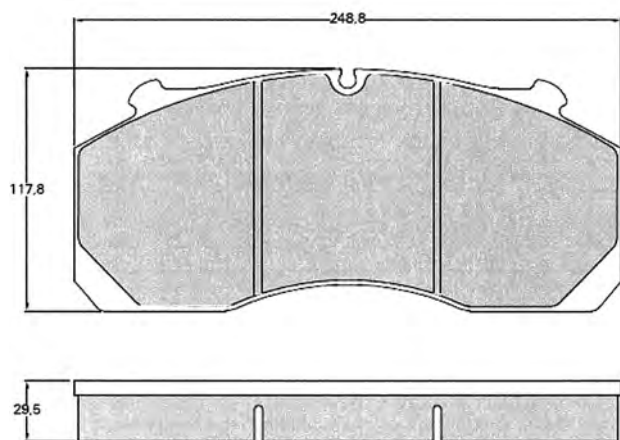
With Full Brake Kits

CVP039 : WVA 29137 :
Meritor C-Duco / VOLVO



Dimensions:
W180.0mm H95.0mm T28.0mm

CVP080 : WVA29149 :
Meritor DX175/ AUTODROMO / ROR



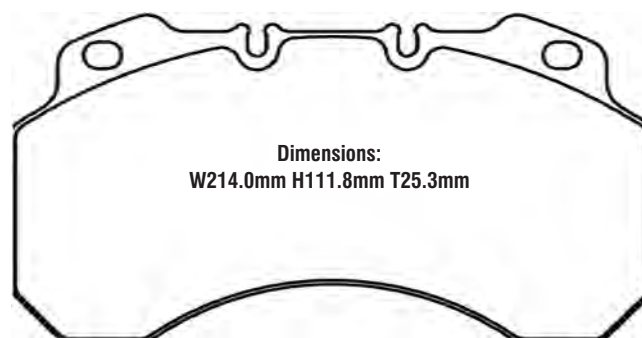
CVP081 : WVA 29150 :
Meritor DX225 / IVECO / DAF

SEE CVP036

CVP082 : WVA 29095 :
KNORR SB6000

SEE CVP020

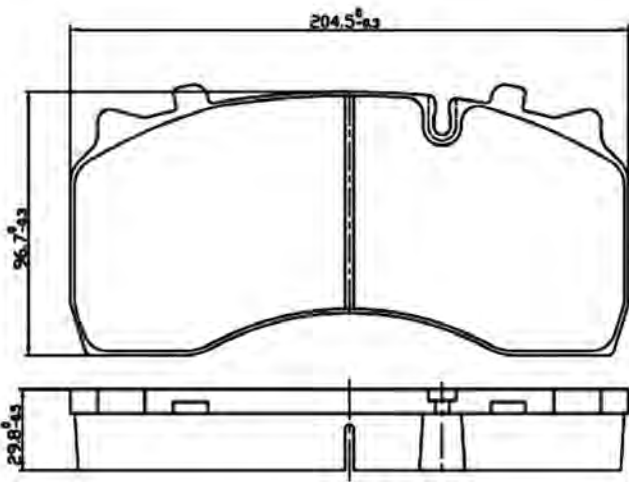
CVP083 : WVA 29105 :
KNORR SB7600 / IVECO



Dimensions:
W214.0mm H111.8mm T25.3mm

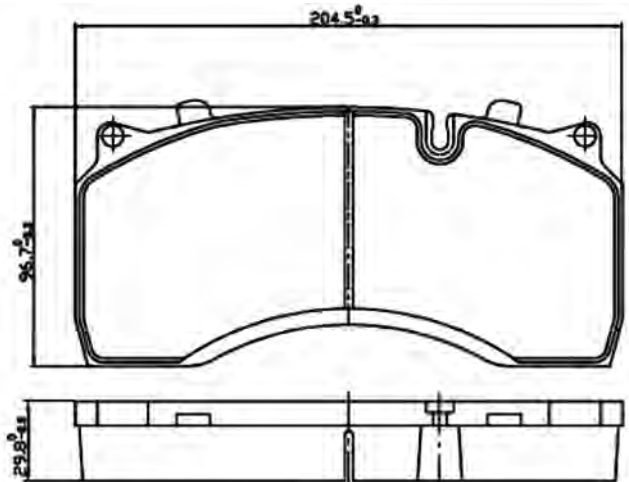
CVP084 : WVA 29100 :
Meritor C-LISA / RVI

DRAWINGS NOT TO SCALE



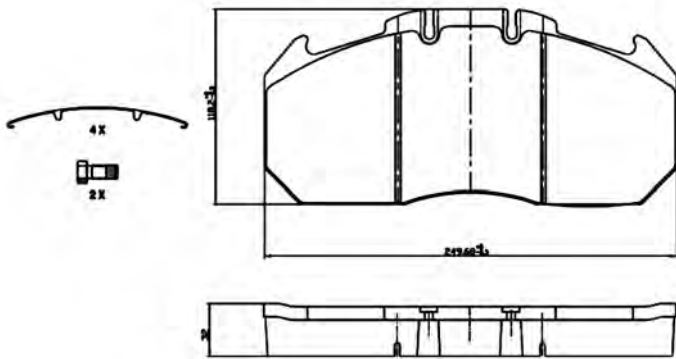
With Full Brake Kits

CVP086 : WVA 29141 :
Wabco P19-2 / DAF



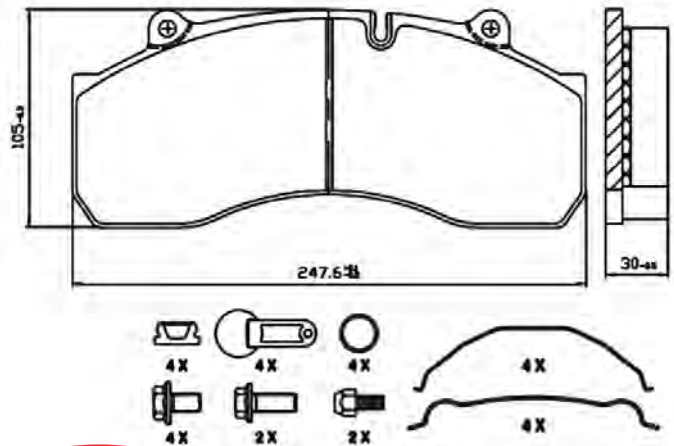
With Full Brake Kits

CVP087 : WVA29142 :
Wabco Pan19-2 / RVI



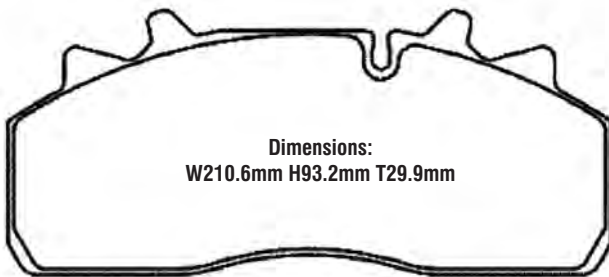
With Full Brake Kits

CVP088 : WVA29131 :
Meritor D-ELSA 2 ERF/ MAN / NEOPLAN/
RVI / ROCKWELL ROR / VOLVO BUS REAR



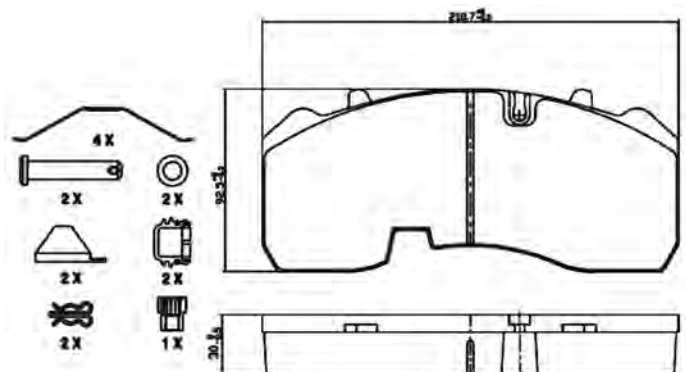
With Full Brake Kits

CVP089 : WVA29143 :
Haldex DB20, DB22 / SMB / SAF



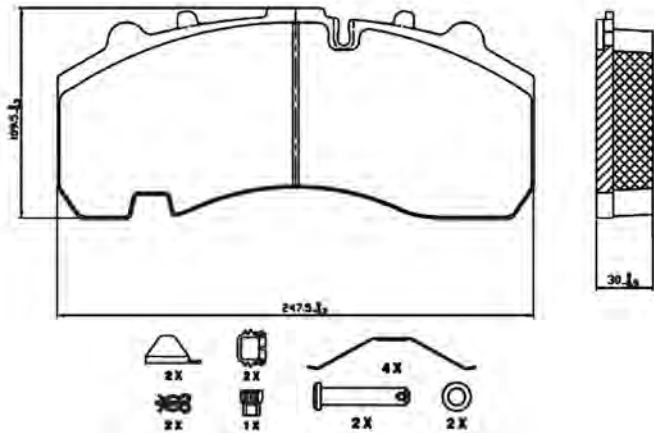
With Full Brake Kits

CVP090 : WVA29126/29159 :
Wabco Pan19-1 / DAF / DENNIS / SAF / SMB



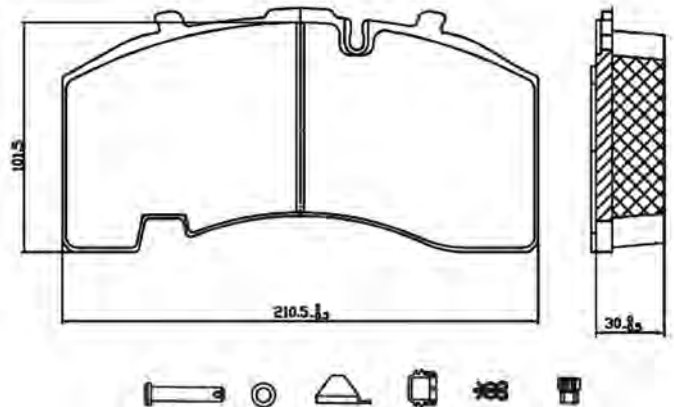
With Full Brake Kits

CVP092 : WVA29165 :
Knorr Bremse SN6 / BPW



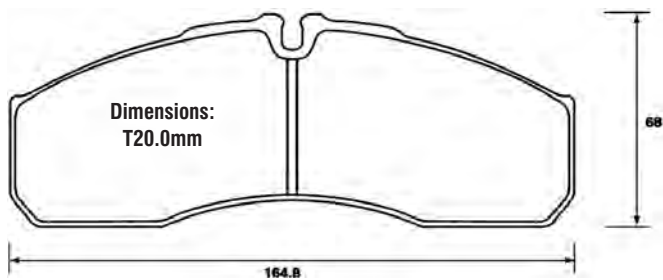
With Full Brake Kits

CVP093 : WVA29167 :
Knorr Bremse SN7 / BPW

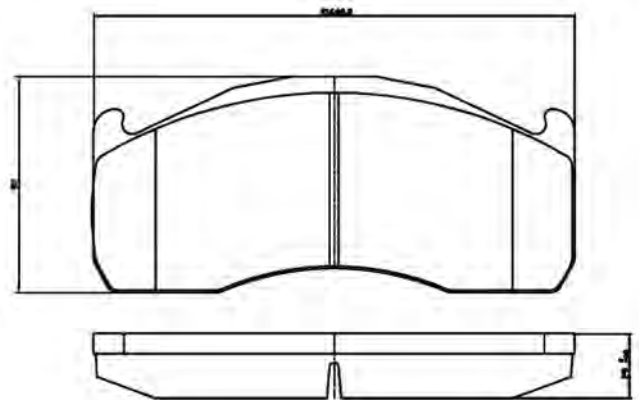


With Full Brake Kits

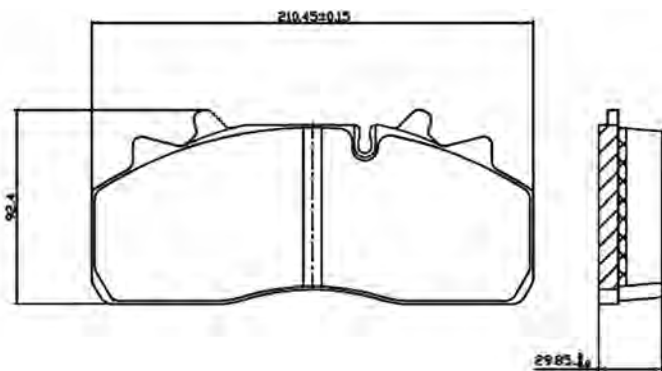
CVP094 : WVA29171 :
Knorr Bremse SK7 / BPW



CVP081 : WVA 29150 :
Meritor DX225 / IVECO / DAF

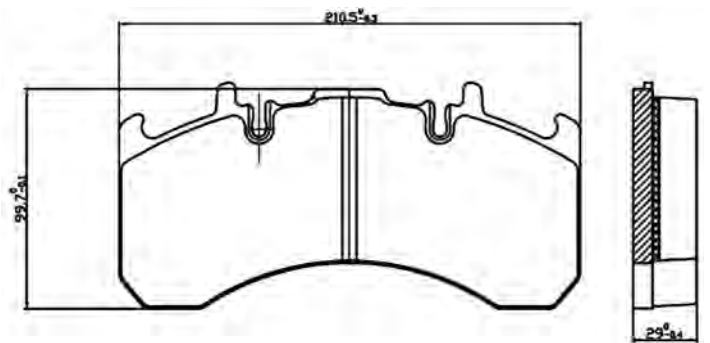


CVP300 : WVA29151 :
Meritor DLE-Duco / VOLVO (REAR LIFT AXEL)



With Full Brake Kits

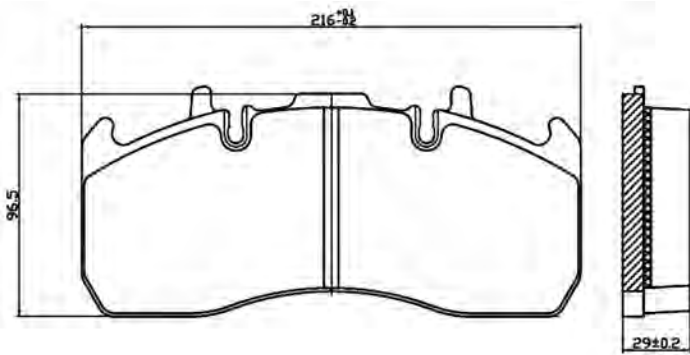
CVP083 : WVA 29105 :
KNORR SB7600 / IVECO



With Full Brake Kits

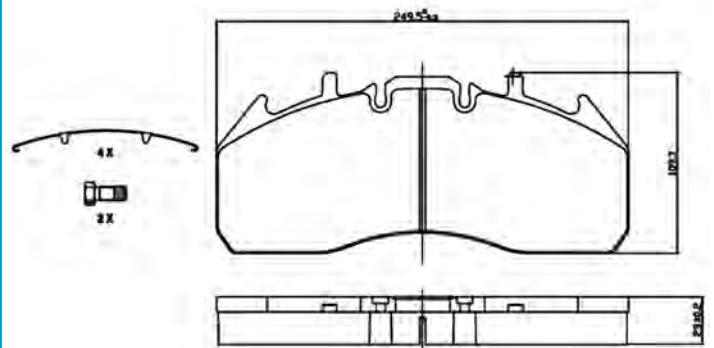
CVP303 : WVA29177 :
Meritor ELSA-VGT195 / RVI / VOLVO / ROR

DRAWINGS NOT TO SCALE



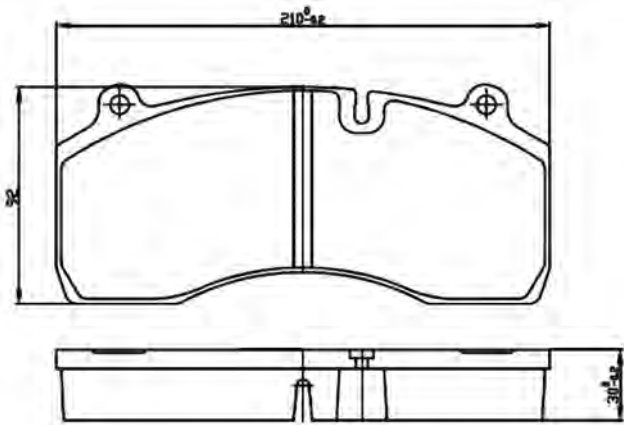
With Full Brake Kits

CVP304 : WVA29173 :
Meritor Elsa 225-1/ RVI / VOLVO



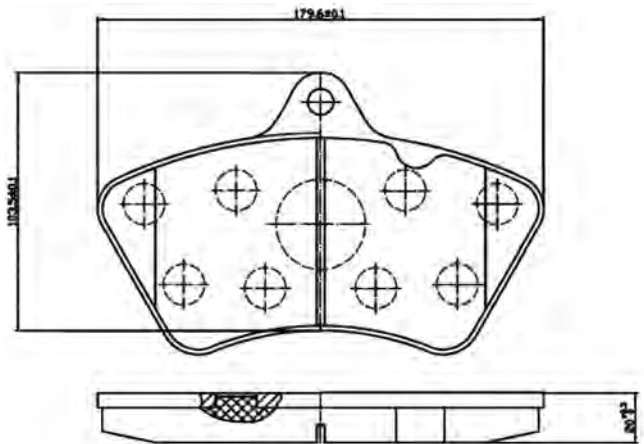
With Full Brake Kits

CVP305 : WVA 29174 :
Meritor Elsa 225-3 /RVI / VOLVO



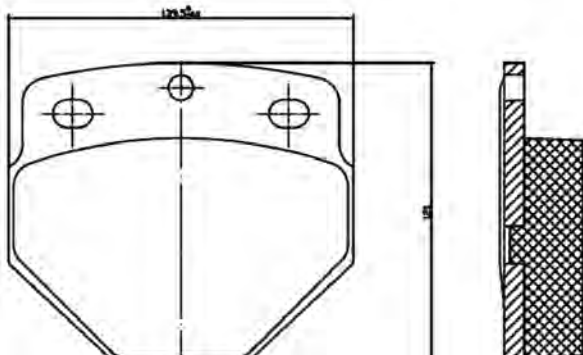
With Full Brake Kits

CVP306 : WVA29181 :
Haldex DB19 / RVI / VOLVO

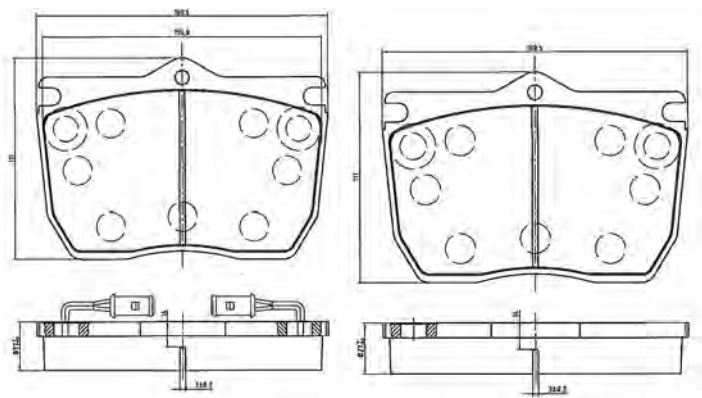


With Full Brake Kits

CVP319 : WVA 29498 :
Knorr 2V/H20 / KASSBOHRER / SETRA



CVP338 : WVA29747 :
Knorr K85-4 / MAN/ BOVA/ DAF/ NEOPLAN / KASSBOHRER



With Full Brake Kits

CVP400 : WVA29016:
WABCO/PERROT / IVECO





Terms and Conditions

Quality

Fundamentals of CV Pads Technology

TITLE OF GOODS:

It is a condition of sale that all goods supplied by Brand Engineering Ltd will remain the property of Brand Engineering Ltd and the title of such goods shall not pass to the purchaser until they have been paid for in full.

In the event the purchaser defaulting on the payment for any reason including bankruptcy or insolvency, the purchaser will authorize Brand Engineering Ltd to enter the purchasers property where the goods are stored and remove all goods supplied by Brand Engineering Ltd, up to the value of the debt.

The risk poses to the buyer at the time the goods leaves the premises.

LIMIT OF LIABILITY:

In no event shall the Company be liable for any direct, indirect or consequential loss or damage of any kind howsoever caused arising from the contract of sale or the use of the goods nor for any diminution in value of components consequent upon or resulting from the use of the Company's products. Without prejudice to any of the foregoing, the liability of the Company on any claim for loss or liability arising out of or connected with any order, or manufacturer, sale, delivery, resale or use of any goods covered by any such order (including, but not limited to, loss or liability arising from breach of contract) shall in no case exceed the unit price of such goods or parts thereof involved in the claim.

The limit of liability shall not apply to any claim for death or personal injury resulting from the negligence of the Company.

WARRANTIES:

The receipt of information from the Purchaser and the delivery by the Company of the goods specified in any order does not in any way imply a warranty that the goods will be suitable for purposes disclosed. The only warranty which the Company makes is in connection with proprietary goods supplied.

Warranty is conditional on the vehicle being properly Serviced according to the vehicle manufacturers Recommendations.

Warranty may be denied in the event of either the Pad, calliper or the engine being modified to increase efficiency.

In the event of any goods proving defective during the period of the warranty due to faulty material or Workmanship the Company shall, at its option either supply replacement goods or repair such defective Goods free of charge.

Save as provided herein all representations, conditions, Warranties and terms, whether express or implied by Common law statute or otherwise, as to the quality, Condition or fitness for any purpose of the goods are excluded. Other product - supplied BY Brand Engineering Ltd from other manufacturers will carry the conditions of guarantee as specified by that manufacturer - available upon request.

BRAKE PADS FOR COMPETITION USE:

Pads used for any form of racing are supplied in good faith and on the understanding that no guarantee is given in respect of performance or reliability of the product, either by the manufacturers or Brand Engineering Ltd.

Brand Engineering Ltd cannot be held responsible for personal injury or damage caused to the engine or vehicle by a failed brake pad.

CANCELLATION POLICY:

Any cancellation or changes to any order by the Buyer after confirmation of order must be in writing and are subject to the buyer which he will accept to pay to be released from his contractual purchase obligations.

Charges may vary depending on the nature of the cancellation but will not exceed 20% of the cancelled order value.

Whilst every care has been taken in compiling the information in this publication, Brand Engineering Ltd cannot accept legal liability for any inaccuracies. Brand Engineering Ltd has an intensive programme of development, which may well alter some specifications. Brand Engineering Ltd reserve the right to do this without notice and whenever necessary to ensure optimum performance of the product.

All rights reserved.

No part of this publication may be produced, stored in a retrieval system or transmitted in any form, or by any means, electronic, mechanical, photocopying, recording or otherwise, without prior permission of Brand Engineering Ltd.



All sites are accredited to, and adhere to strict application of, TS16949.



All sites manufacture original parts for consumption in Europe.



All products “E” marked and certified.



“E1”, “E4” and “E11” approvals.



Products are developed in-house with formulations closely controlled and relevant to applicable systems and vehicles.



All formulas are organic, low-metallic or non metallic in base.



Several formulas are mixed in Europe and shipped fully to manufacturing plants.

CV Disc Pads Suitable for prime movers, trailers, bus and light truck applications.

Superior technology for commercial vehicle disc pads.



Introducing Bendix CV disc pads for new generation vehicles

Bendix has launched a new generation of disc brake pads for a new generation of heavier trucks, prime movers and trailers carrying bigger loads.

Only a friction material specialist like Bendix can develop superior pads that are developed for harsh road conditions and operating demands.

As more new commercial vehicles switch to disc brakes, Bendix technology will bring fleet operators advanced levels of reliability, reduced noise and considerably longer life to pads and rotors.

Superior Surface protection

Bendix pads use less abrasive materials and lubricants that protect the disc rotor surface – unlike many aggressive European style materials.

Thanks to this advanced 'surface technology', friction can be achieved with minimal surface damage to pads and rotors thus extending both pad and rotor life.

Bendix CV Pads reduce thermal damage to rotors, which can cause micro and radial cracking and has a high tolerance of varying rotor metallurgy.



Made for each other,
made to last.



CV Disc Pads

Superior Performance
Low Rotor Wear
Fully Approved for European Use

Our products are manufactured in state of the art facilities to the most stringent of quality controls (TS 16949) and all are **accredited** through to **ECE Reg 90 - E4 and E11**.

Bendix disc pads feature a **triple protection retention system** - mechanical, adhesive and formulated retention to ensure product integrity in all operating conditions.

Mechanical Retention: An integral steel mesh, stud welded to the backing plate, through and around which the friction material flows. When the friction material is cured the mechanical shear strength is greatly enhanced.

Adhesive Retention: The backing plate (and steel mesh) is coated with thermo-setting phenolic adhesive. This delivers the industry standard bond for the friction material to the backing plate. This bond has a strong resistance to thermal stress.



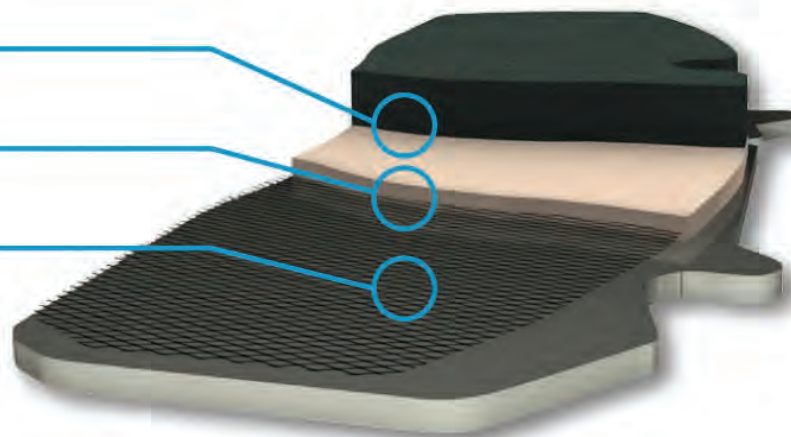
Formulated Retention: The best compound for brake performance may not be the best compound for bonding. In order to ensure perfect bond conditions we insert an 'interlayer' of material specifically formulated for bonding between the backing plate and the main friction material block. During molding and curing this interlayer flows and fuses organically into the main friction block and adheres perfectly to the backing plate and steel mesh. The resulting final bond is fully secure.

Superior performance.

Formulated Retention

Adhesive Retention

Mechanical Retention



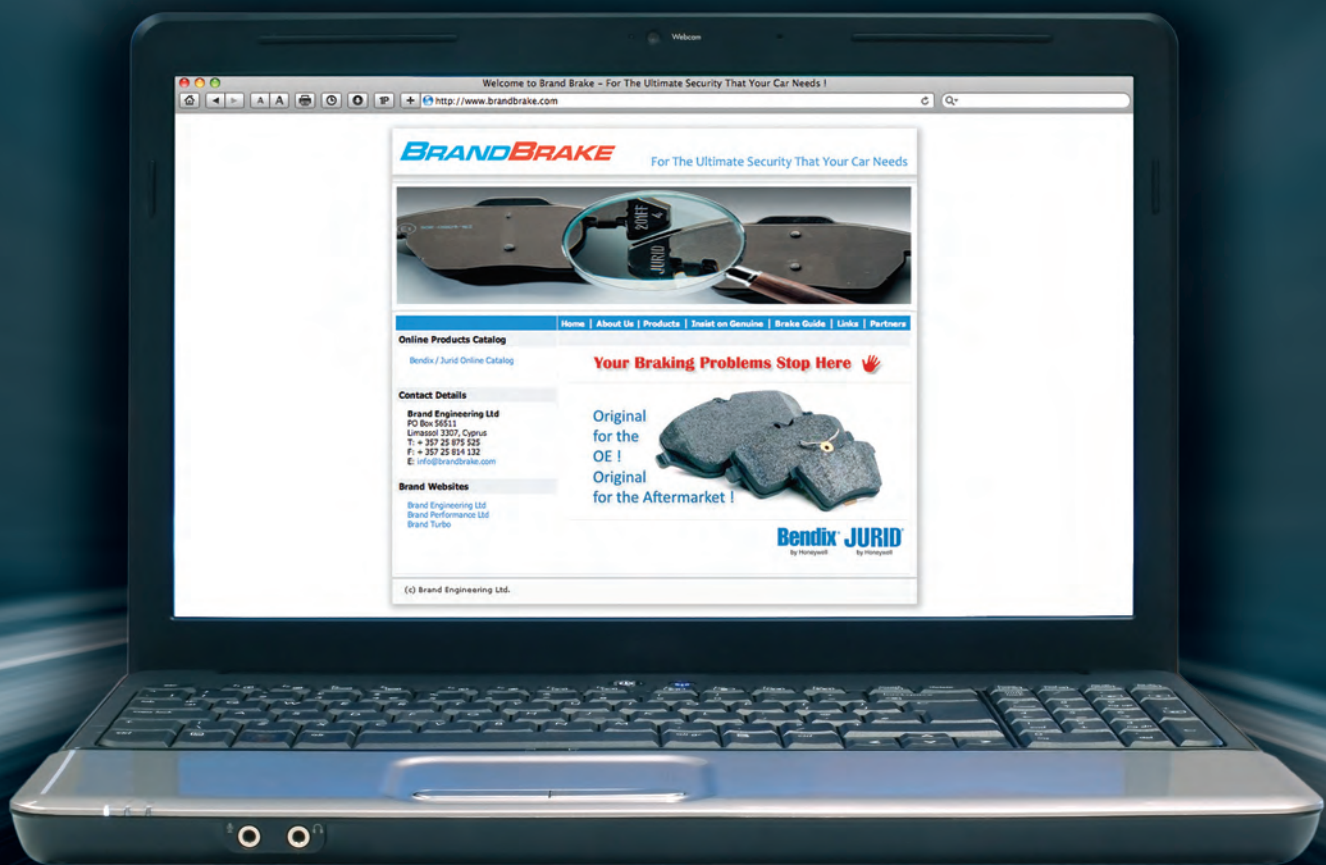
New Packaging Design to reflect the quality of the product and to create better perception of this product performance in the market.





Lined writing area consisting of horizontal lines for notes.

**Visit our Web Site
for Product Information
and Latest News**



www.brandbrake.com

BRANDBRAKE



Brand Engineering Ltd

sales@brandbrake.com
www.brandbrake.com